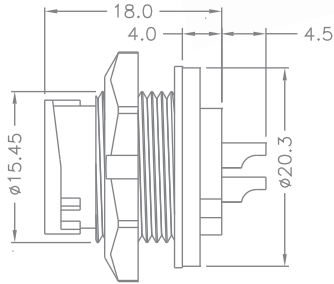


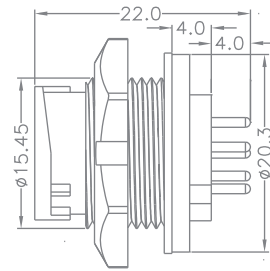


B-Size

Solder



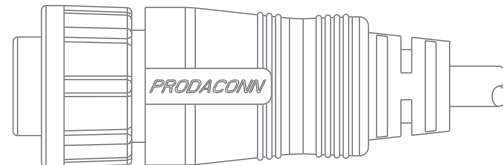
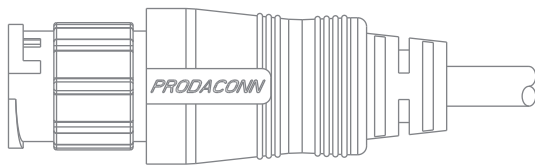
Dip



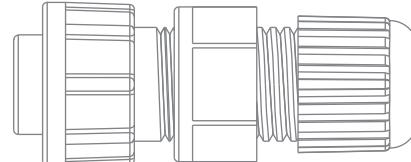
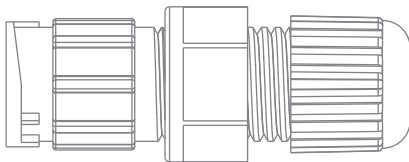
Cable

Male

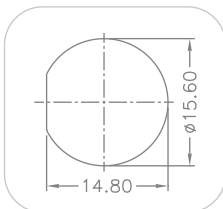
Female



Assembly



Panel Cut-out



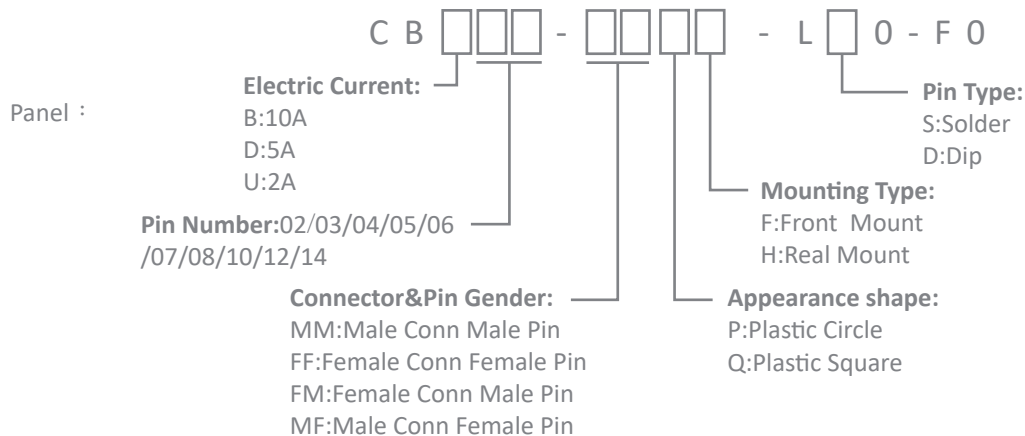
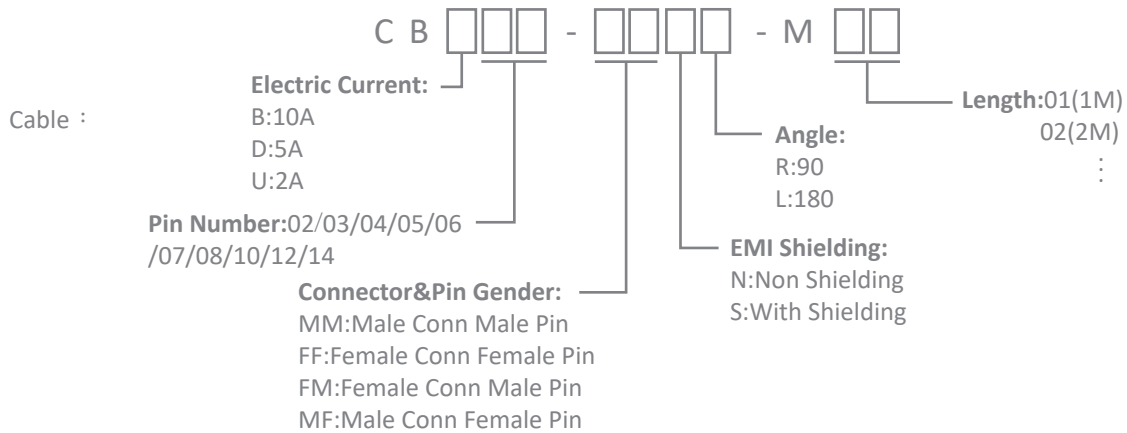
Electrical Features

Female			
Male			
Pin Way	2PIN	3PIN	4PIN
Rated Current	5A / 10A		
Applicable temperature : -40°C~+105°C			

Electrical Features

Female						
Male						
Pin Way	5PIN	6PIN	7PIN	8PIN	10PIN	12PIN
Rated Current	5A				2A	
Applicable temperature : -40°C~+105°C						

Part Numbering System



Assembly :

