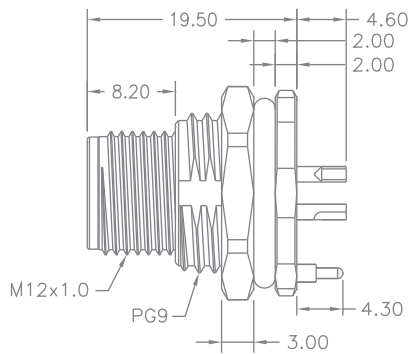


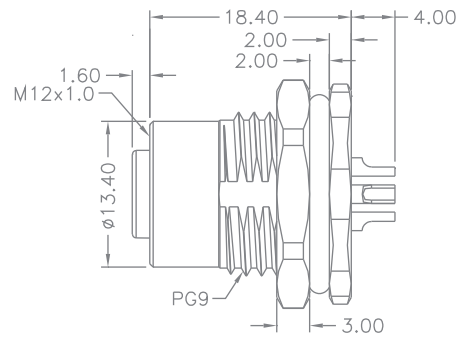


One-Pieces
Front Mount (Solder)

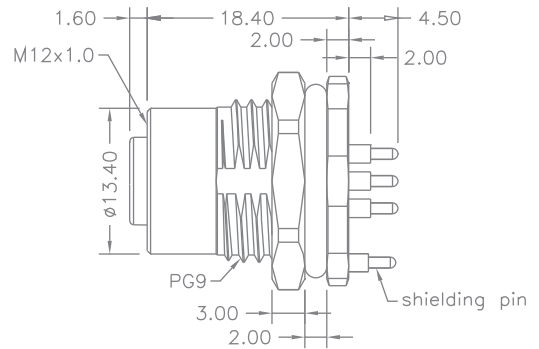
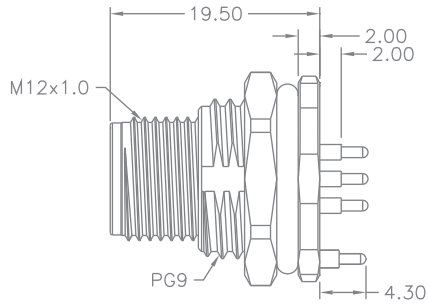
Male



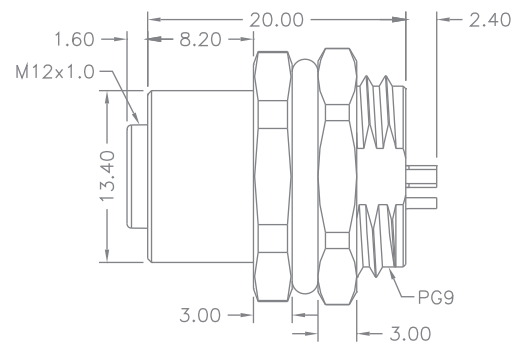
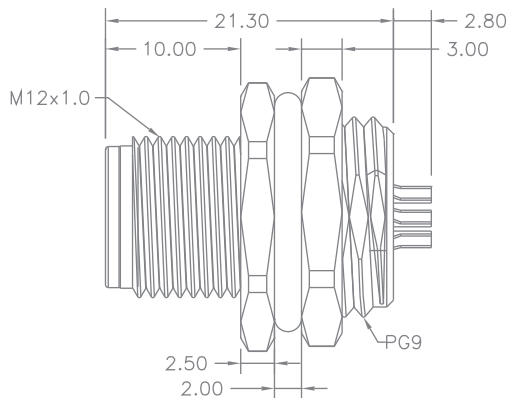
Female



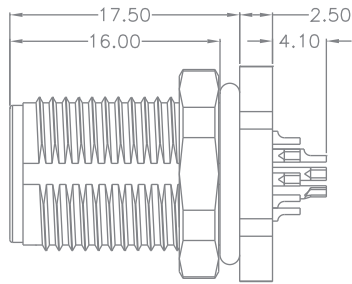
Front Mount (Dip)



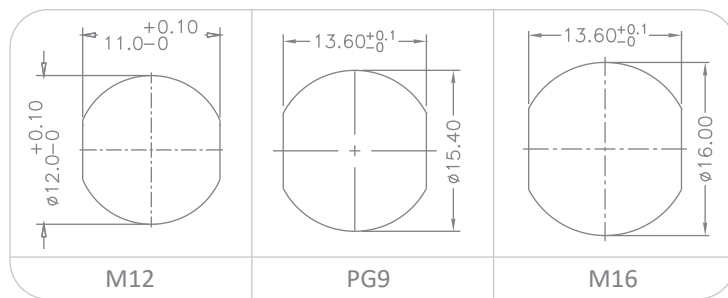
Rear Mount (Solder)



One-Pieces



Panel Cut-Out



Technical Characteristics

- Shell material : Brass / Zinc
- Housing material : Nylon PA66
- Molding material : PVC / TPU
- Contact : Copper Alloy
- Applicable temperature : -20°C~+80°C
- Insulation resistance : $\geq 100\text{m}\Omega$
- Contact resistance : $\leq 5\text{m}\Omega$
- Protection level : IP67
- Mating and Unmating force : ≥ 500

Electrical Features

Female Key View						
Male Key View						
Code Type	A-Code					
Pin Way	3PIN	4PIN	5PIN	8PIN	12PIN	17PIN
Rated Current	4A		2A		1.5A	
Rated Voltage	250V a.c./d.c.		60V a.c./d.c.	30V a.c./d.c.		

Female Key View				
Male Key View				
Code Type	B-Code	D-Code	X-Code	Y-Code
Pin Way	5PIN	4PIN	8PIN	8PIN
Rated Current	4A		0.5A	6A/0.5A
Rated Voltage	60V a.c./d.c.	250V a.c./d.c.	60V a.c./d.c.	50V a.c./d.c.

Female Key View				
Male Key View				
Code Type	S-Code	T-Code	K-Code	L-Code
Pin Way	4PIN	4PIN	5PIN	5PIN
Rated Current	12A	4A	12A	12A
Rated Voltage	630V a.c./d.c.	63V a.c./d.c.	630V a.c./d.c.	63V a.c./d.c.

Part Numbering System

