

Cable/Panel

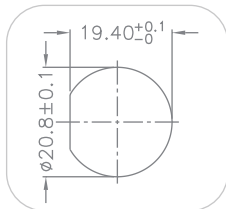
05
1/0



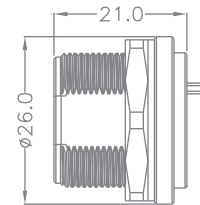
Technical Characteristics

- Shell material : Brass / Zinc / PA66
- Housing material : Nylon PA66
- Molding material : PVC / TPU
- Contact : Copper Alloy
- Insulation resistance : DC500V ± 10%
- Current Rating : 0.5A
- Recommend AWG : 28AWG
- Protection level : IP67
- Panel Mount Connector : -40°C~+105°C
- Cable End Connector : -40°C~+85°C

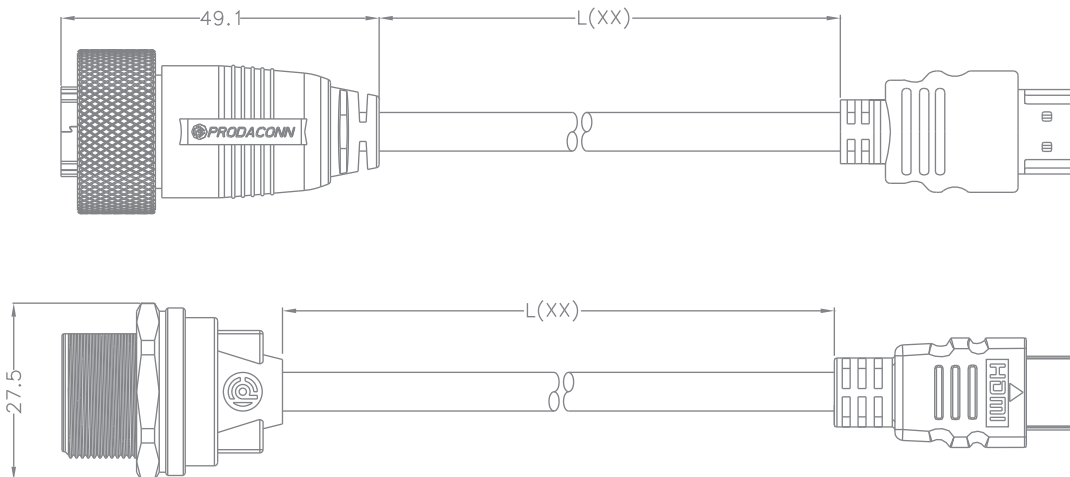
Panel Cut-out



Panel Signal

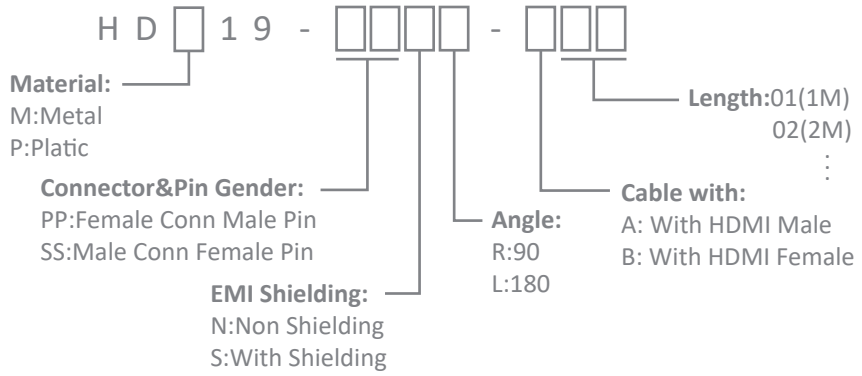


Cable Signal

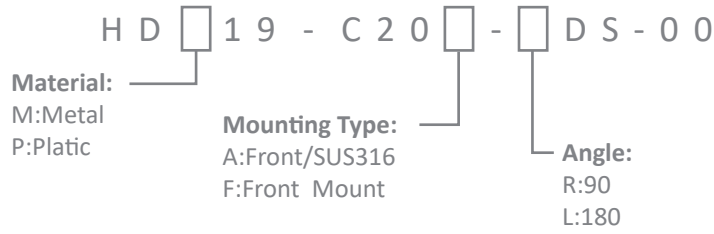


Part Numbering System

Cable :



Panel :



Panel With Cable :

