

## Cable/Panel

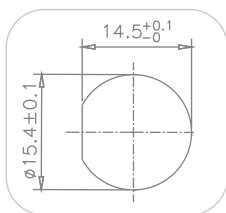
05  
I/O



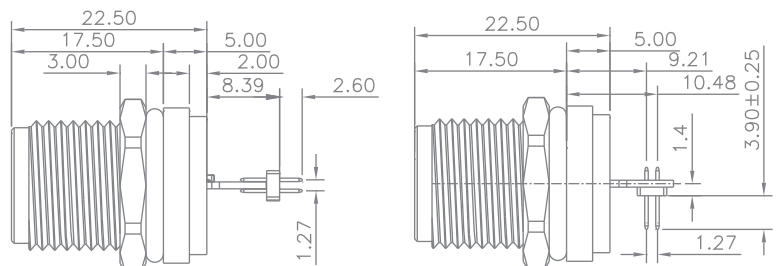
## Technical Characteristics

- Shell material : Brass / Zinc / PA66
- Housing material : Nylon PA66
- Molding material : PVC / TPU
- Contact : Copper Alloy
- Insulation resistance : DC100V ± 10%
- Current Rating : 0.5A
- Recommend AWG : 28AWG
- Protection level : IP67
- Panel Mount Connector : -40°C~+105°C
- Cable End Connector : -40°C~+85°C

## Panel Cut-out

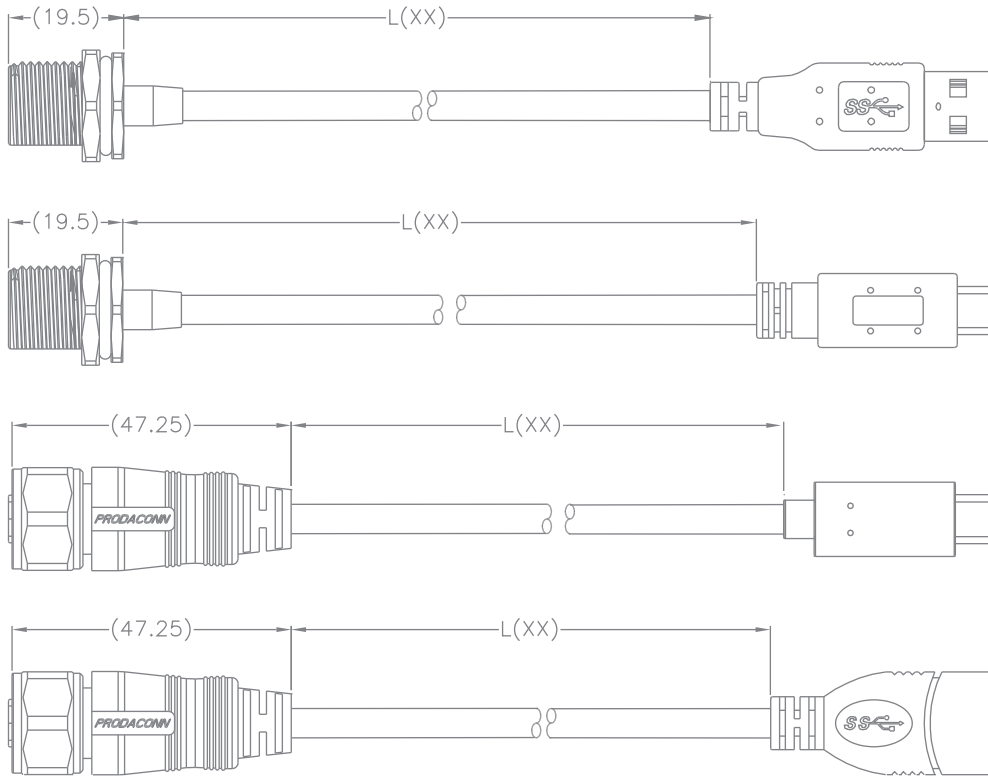


## Panel Signal



Cable Signal

05  
I/O



Part Numbering System

