

## Cable/Panel

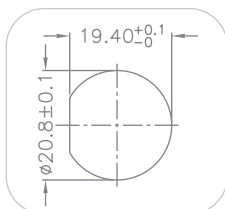
05  
I/O



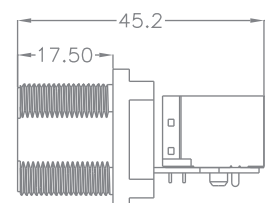
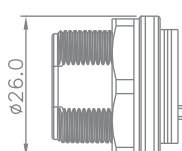
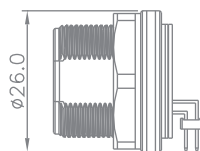
### Technical Characteristics

- Shell material : Brass / Zinc / PA66
- Housing material : Nylon PA66
- Molding material : PVC / TPU
- Contact : Copper Alloy
- Insulation resistance : DC500V ± 10%
- Current Rating : 1.5A
- Recommend AWG : 24~26AWG
- Protection level : IP67
- Panel Mount Connector : -40°C~+105°C
- Cable End Connector : -40°C~+85°C

### Panel Cut-out

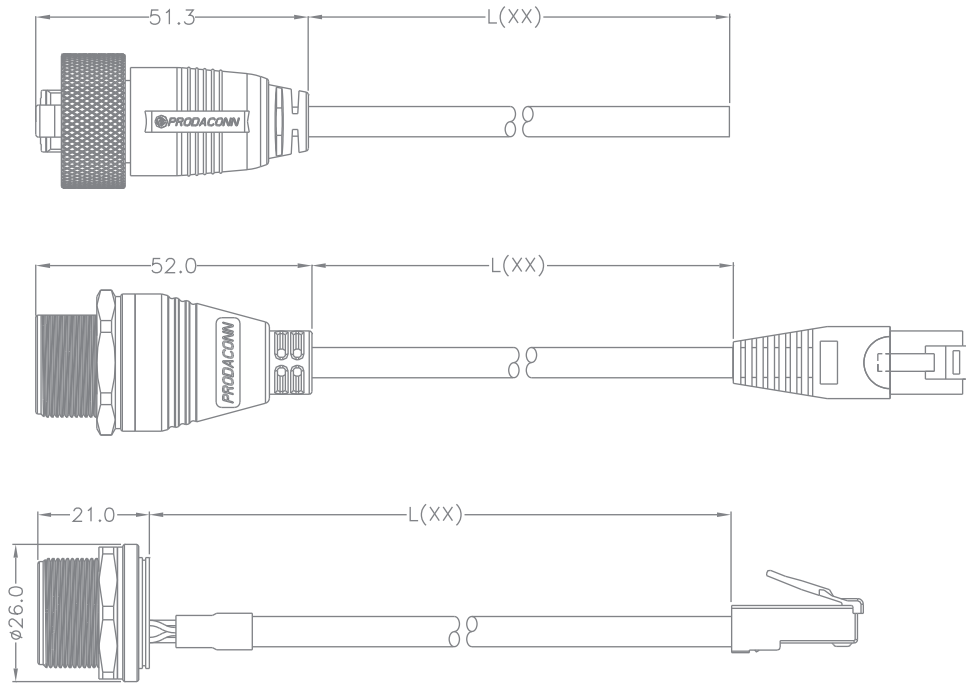


### Panel Signal



Cable Signal

05  
I/O



Part Numbering System

