

Cable/Panel

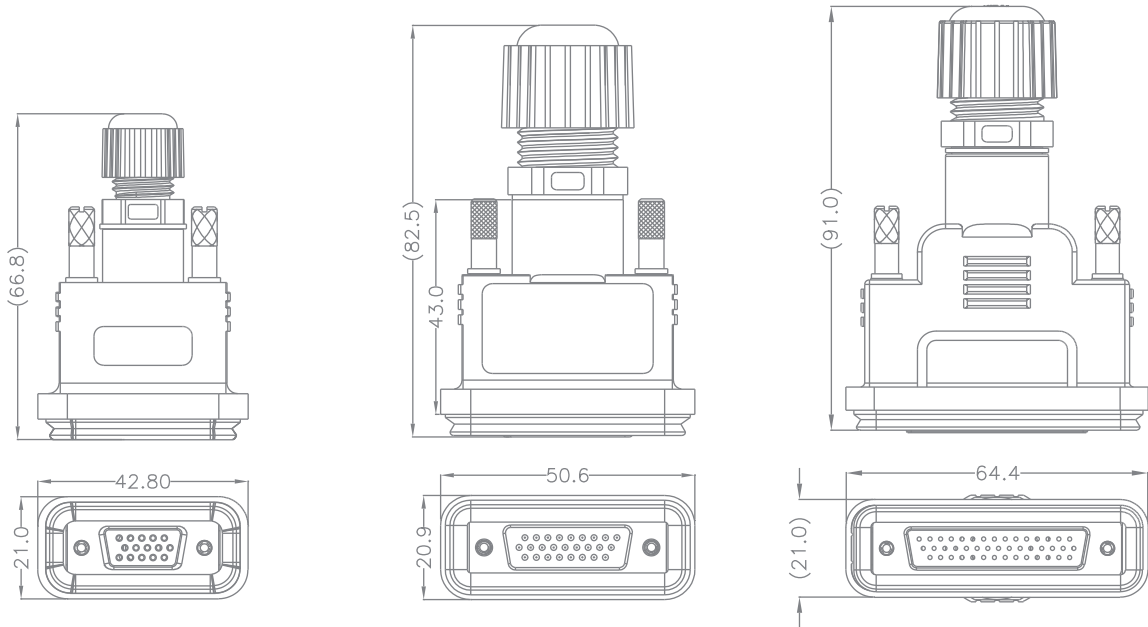
05
I/O



Technical Characteristics

- Shell material : PA66
- Housing material : Nylon PA66
- Molding material : PVC / TPU
- Contact : Copper Alloy
- Insulation resistance : DC500V ± 10%
- Protection level : IP67
- Panel Mount Connector : -40°C~+105°C
- Cable End Connector : -40°C~+85°C

Cable Assembly



Panel Cut-out

View	9Pin	15Pin	25Pin
Standrad	9Pin	15Pin	25Pin
Hight Density	15Pin	26Pin	44Pin

Panel Type

05
I/O

View						
Pin Way	9PIN	15PIN	25PIN	15PIN	26PIN	44PIN
Rated Current	5A			2A		
Rated Voltage	125V (DC)					
Conductor	24AWG			26AWG		
Type	Standrad D-SUB			Hight Density D-SUB		

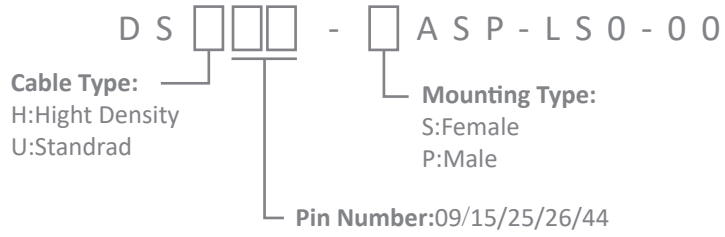
Mixed and full power cable connector

Shell Size	Layout	
E	5W1	
A	11W1	
	7W2	
	3W3	
	3V3	
B	21W1	
	17W2	
	13W3	
	9W4	
	5W5	

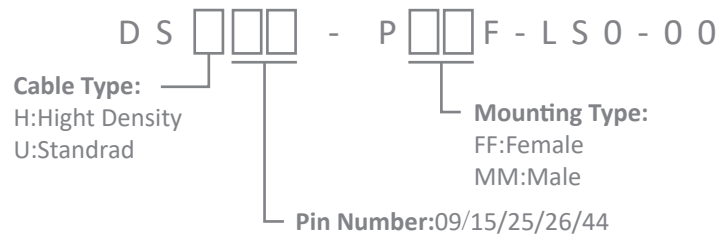
Shell Size	Layout	
C	25W3	
	21W4	
	27W2	
	8W8	
D	47W1	
	24W7	
	36W4	

Part Numbering System

Panel :



Cable Assembly :



Mixed and full power :

