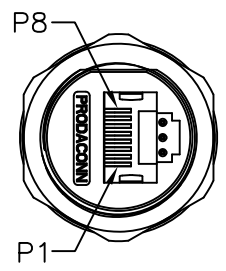
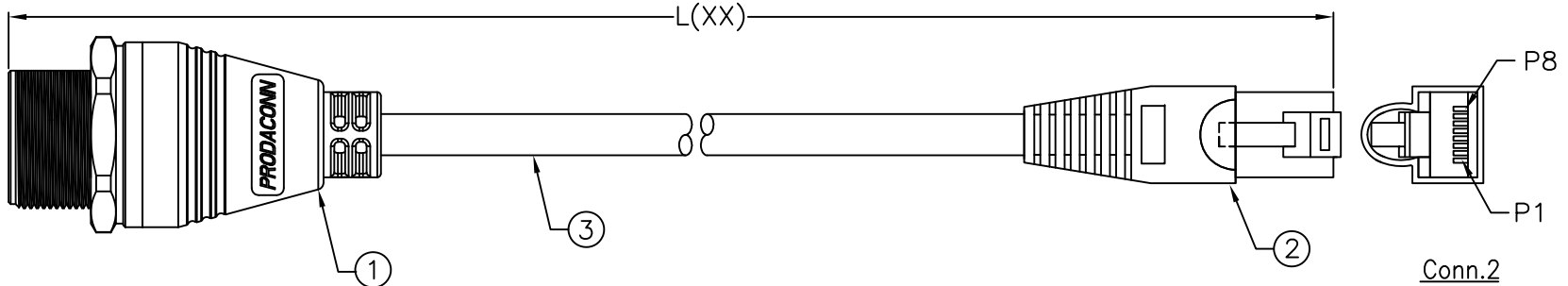


REV.	ECN NO.	DATE	SIGN	DESCRIPTION
A	Initial Release	2025/02/19	Delu	Change Rev.02 To Rev.A



Conn.1
IP Grade: IP67



Part No.:
RJM08-SSSA-MXX

Cable Length
01: 01Meter
02: 02Meters
⋮
99: 99Meters(Max.)

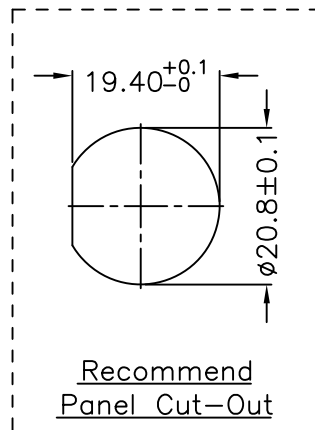


* Cable Length Tolerance:
1M~5M: ±50mm
5.01M~10M: ±80mm
10.01M~20M: ±100mm
20.01M~30M: ±150mm
30.01M~40M: ±200mm
40.01M~50M: ±250mm

Note:
①* Conn.1: Waterproof RJ45 Jack
Housing: PBT,Black
Pin: Copper Alloy,Gold Plated
Ground: SUS301
Shielding: Zinc Alloy,Nickel Plated
Gasket: Silicone,Grey Black
Nut: Copper Alloy,Nickel Plated
②* Conn.2: RJ45 Plug
③* Cable: CAT.5E,FTP,24AWGx4P+M+D+A
PVC Jacket,OD6.5,Black(RAV12871)

Shield	Braid	編織	Shield
8	Brown	棕	8
7	White/Brown	白/棕	7
5	Blue	藍	5
4	White/Blue	白/藍	4
6	Green	綠	6
3	White/Green	白/綠	3
2	Orange	橘	2
1	White/Orange	白/橘	1
RJ45	Wire Color		RJ45
Pin Out			

Twist
Twist
Twist
Twist



		All dimension in mm		
		TOLERANCE UNLESS OTHERWISE SPECIFIED ±0.5	REV. A SCALE 1:1	
DRAWN BY Delu	APPROVED BY Roy	DATE(Y/M/D) 2025/02/14	PAGE 1/1	SIZE A4
PART NO.: RJM08-SSSA-MXX		TITLE RJ45 JACK TO RJ45 PLUG		
CUSTOMER NO.:				
THIS DOCUMENT IS CONFIDENTIAL AND A PROPERTY OF PRODACONN DISCLOSURE TO THIRD PARTY HAS TO BE AUTHORIZED BY PRODACONN				