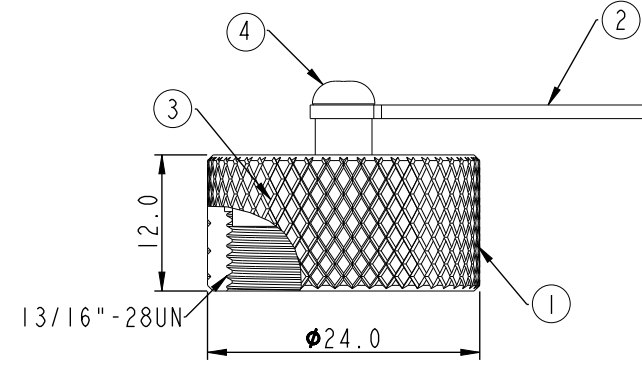
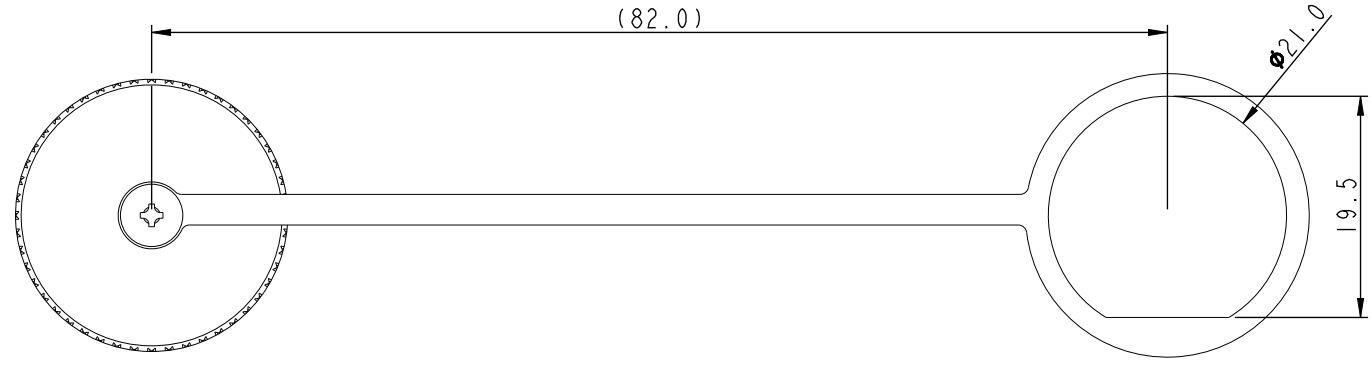


REV.	ECN NO.	DATE	SIGN	DESCRIPTION



- Note:
- ① * CAP: Copper Alloy, Nickel
 - ② * Rubber Lead: PVC
 - ③ * Gasket: Silicone
 - ④ * Screw: Steel

		All dimension in mm	
		TOLERANCE UNLESS OTHERWISE SPECIFIED .X ±0.25 .XX ±0.1	REV. A SCALE Free
DRAWN BY Ann	APPROVED BY Roy	DATE(Y/M/D) 2024/05/27	PAGE 1 OF 1 SIZE A4
PART NO: CAPS0-CCXM-RC0-00		TITLE WATERPROOF CAP, C SIZE	
CUSTOMER NO:		THIS DOCUMENT IS CONFIDENTIAL AND A PROPERTY OF TiMyn. DISCLOSURE TO THIRD PARTY HAS TO BE AUTHORIZED BY PRODACONN.	