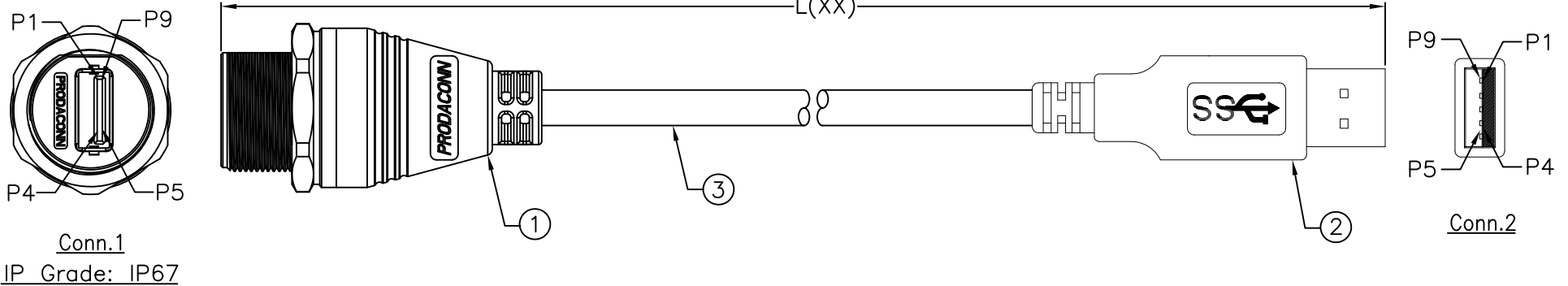


REV.	ECN NO.	DATE	SIGN	DESCRIPTION
A	Initial Release	2025/02/19	Delu	Change Rev.02 To Rev.A



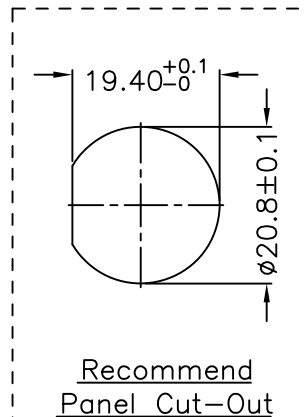
Part No.:
U3M09-SSSA-MXX

Cable Length
01: 01Meter
02: 02Meters
:
* Cable Length Tolerance:
1M~5M: ±50mm

Note:

- ① * Conn.1: Waterproof USB3.0 Type A Jack
Housing: Nylon+GF,Black
Shield: Zinc Alloy,Nickel Plated
Gasket: Silicone,Grey Black
Nut: Copper Alloy,Nickel Plated
- ② * Conn.2: USB3.0 Type A Plug
- ③ * Cable: UL20276,(28AWGx1P+ADM)x2C+30AWGx1P+24AWGx2C+A+B,PVC Jacket,OD5.5,Black

Shell	Braid	編織	Shell	
9	Orange 28AWG	橘	9	Twist
8	Purple 28AWG	紫	8	
7	Drain(紫+橘) Drain(黃+藍)	地線	7	Twist
6	Yellow 28AWG	黃	6	
5	Blue 28AWG	藍	5	
4	Black 24AWG	黑	4	Twist
3	Green 28AWG	綠	3	
2	White 28AWG	白	2	
1	Red 24AWG	紅	1	
Conn.1	Wire Color		Conn.2	
Pin Out				



		All dimension in mm		
		TOLERANCE UNLESS OTHERWISE SPECIFIED ±0.5	REV. A SCALE 1:1	
DRAWN BY Delu	APPROVED BY Roy	DATE(Y/M/D) 2025/02/14	PAGE 1/1	SIZE A4
PART NO.: U3M09-SSSA-MXX		TITLE USB JACK WITH USB PLUG		
CUSTOMER NO.:		THIS DOCUMENT IS CONFIDENTIAL AND A PROPERTY OF PRODACONN DISCLOSURE TO THIRD PARTY HAS TO BE AUTHORIZED BY PRODACONN		