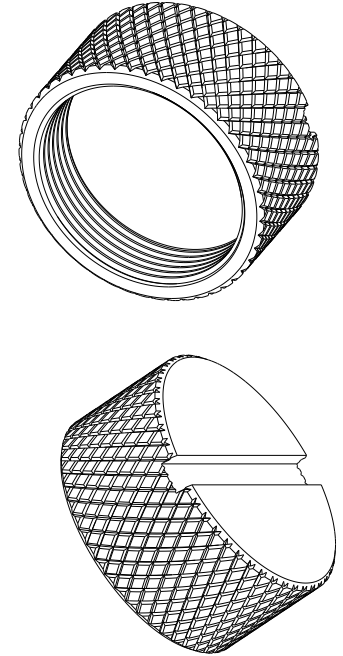
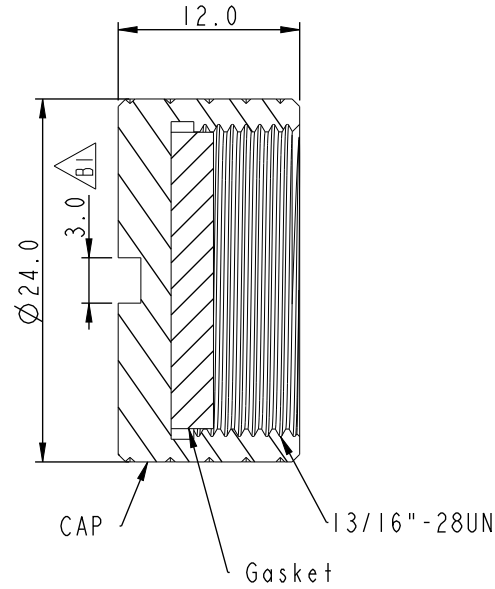
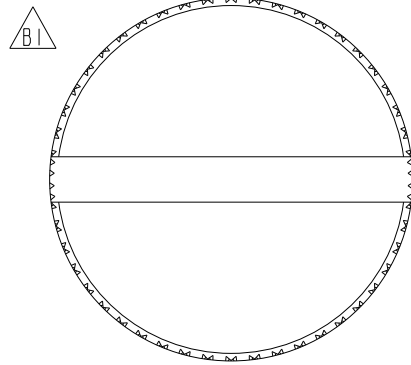


REV.	ECN NO.	DATE	SIGN	DESCRIPTION
A	Initial Release	2022/12/16	Luke	REV. A ISSUED.
B	20240524001	2024/05/24	Ann	Change Part No.
BI		2025/05/29	Ann	Modify Overview






Note:.

* Cap: Brass, Nickel Plated.

 * Gasket: Silicone, Grey Black.



		  All dimension in mm	
		TOLERANCE UNLESS OTHERWISE SPECIFIED .X ±0.25 .XX ±0.1	
DRAWN BY Ann		APPROVED BY Roy	
DATE (Y/M/D) 2025/05/29		PAGE 1/1	SIZE A4
PART NO: CAPS0-CCXM-000-00		TITLE WATERPROOF CAP (C SIZE)	
CUSTOMER NO:			
THIS DOCUMENT IS CONFIDENTIAL AND A PROPERTY OF PRODACONN DISCLOSURE TO THIRD PARTY HAS TO BE AUTHORIZED BY PRODACONN			