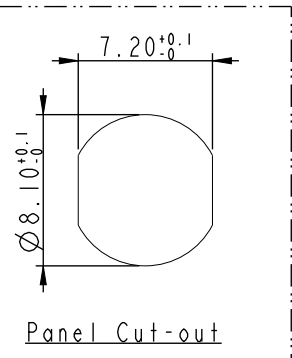
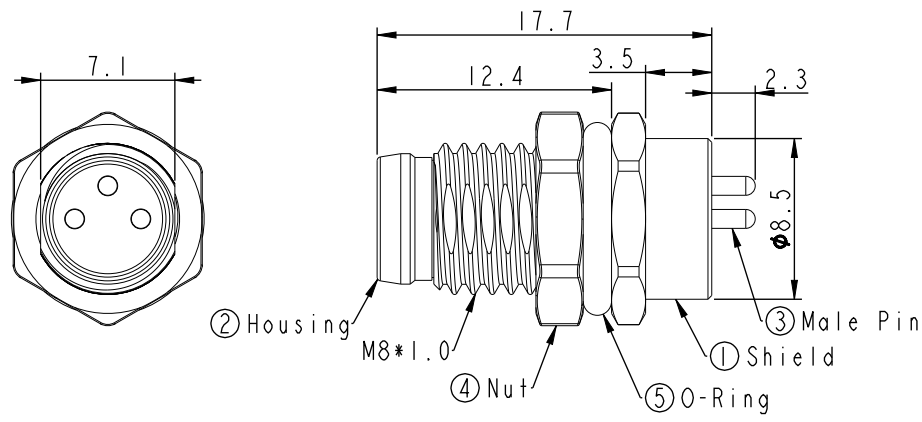


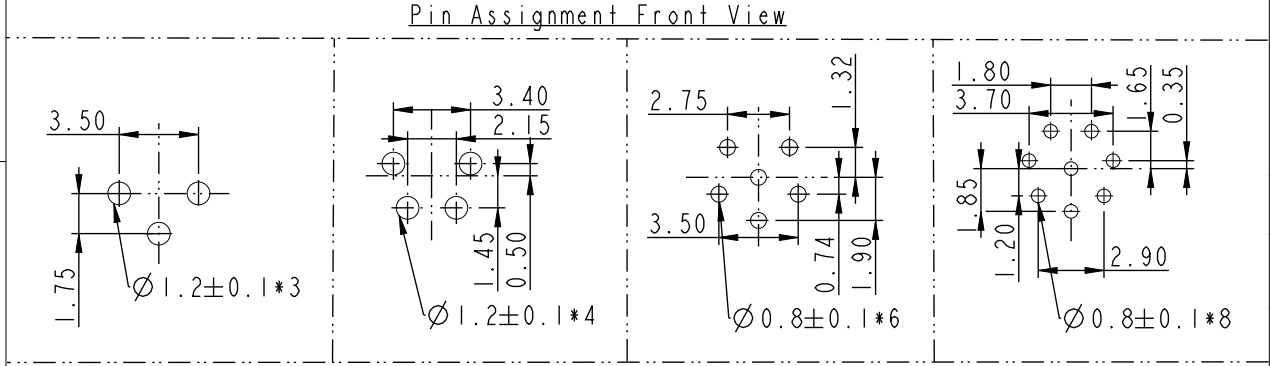
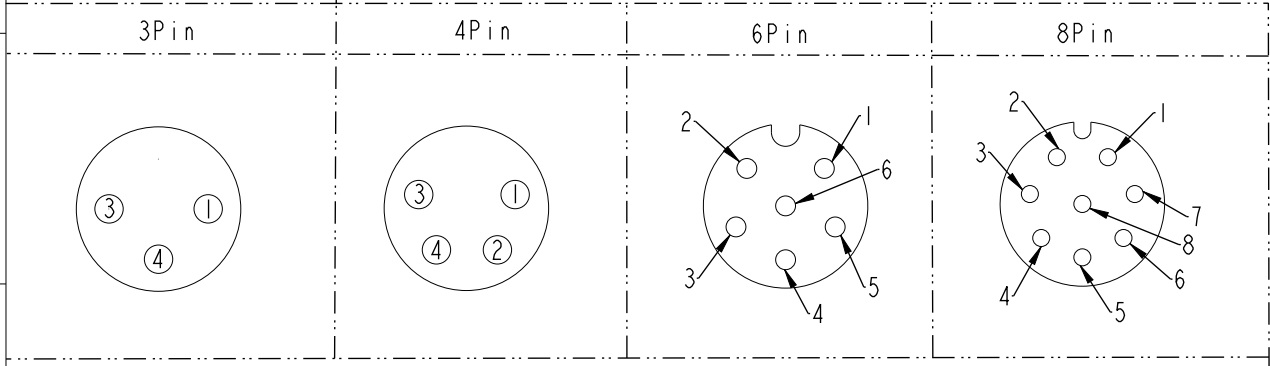
| REV. | ECN NO. | DATE | SIGN | DESCRIPTION |
|------|-----------------|------------|------|-----------------|
| A | Initial Release | 2024/03/27 | Delu | New Item |
| B | | 2024/08/12 | Delu | Modify Overview |
| C | | 2024/08/27 | Delu | Modify Note |



Note:
 * Waterproof Rate: IP67
 Material:
 ① Shield: Copper Alloy, Nickel Plated.
 ② Houshing: Nylon+GF, Black.
 ③ Male Pin: Copper Alloy, Gold Plated.
 ④ Nut: Copper Alloy, Nickel Plated.
 ⑤ O-Ring: EDPM, Black.

△ Electrical Characteristics:
 Current rating: 3&4PIN:3A
 6&8PIN:1.5A
 Voltage rating: 3&4PIN:50Va.c./60Vd.c.
 6&8PIN:30Va.c./30Vd.c.

Recommendation:
 * For Panel Thickness Max 3.0mm.
 * Nut Torque: 4-6kgf.cm.



⊕ All dimension in mm

TOLERANCE UNLESS OTHERWISE SPECIFIED

.X ±0.25
.XX ±0.1

| | | | | | |
|--------------|-------------------|-------------|-------|--------------------------------|------------|
| DRAWN BY | Delu | APPROVED BY | Roy | DATE(Y/M/D) | 2024/03/27 |
| PART NO: | M8AXX-P08F-LD0-00 | | TITLE | M8 A-CODE MALE PCB FRONT MOUNT | |
| CUSTOMER NO: | | | | | |

REV. C

SCALE Free

PAGE 0F

SIZE A4