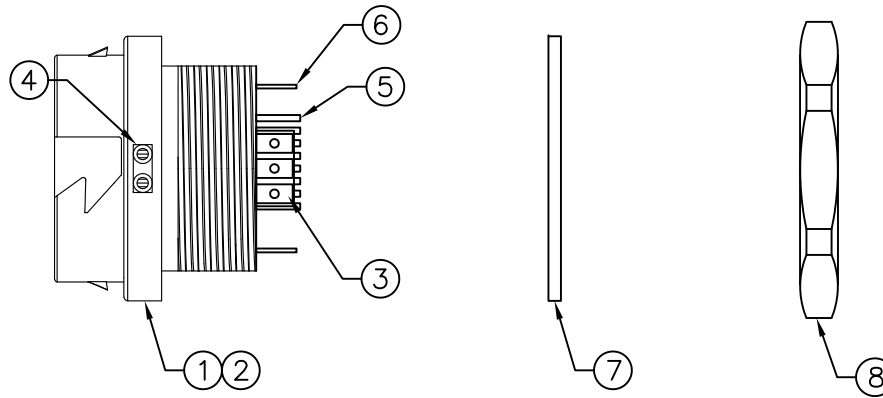
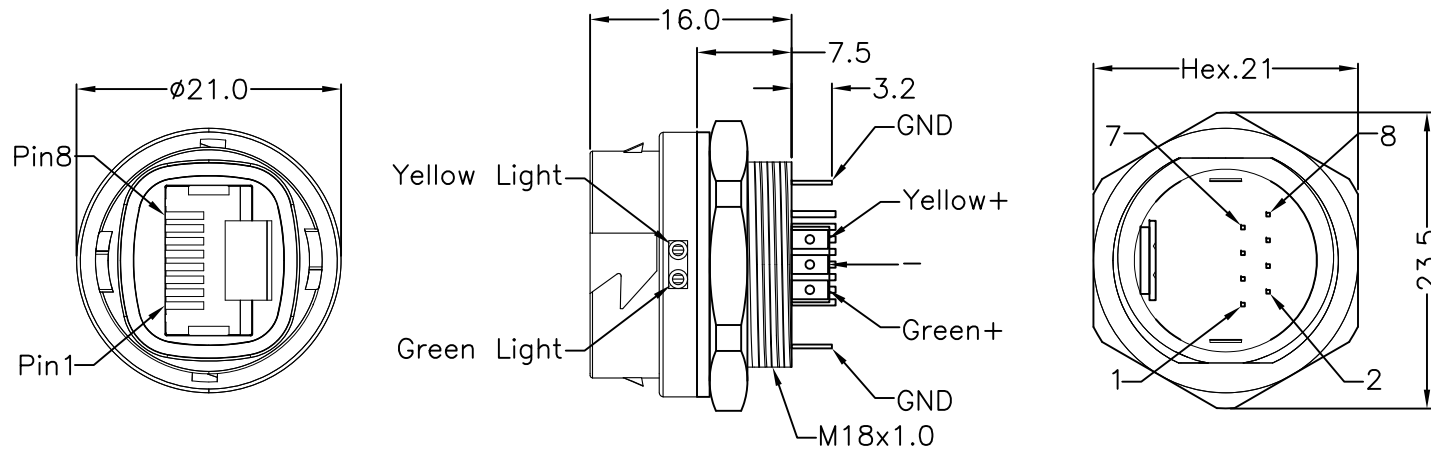
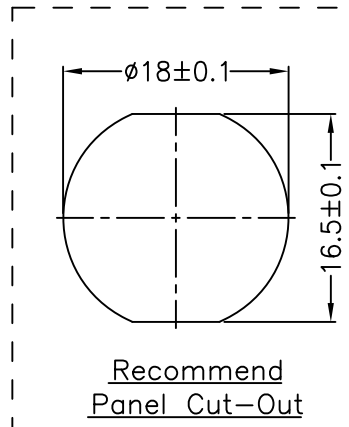


REV.	ECN NO.	DATE	SIGN	DESCRIPTION
A	Initial Release	2024/11/08	Ann	New Item



Note:

- * Waterproof Rate: IP67
- ① * Housing: PA66,UL94 V-0,Black
- ② * O-Ring: Silicone
- ③ * PCB: FR4,Green
- ④ * Lamp: LED,Yellow/Green
- ⑤ * Contact: Copper Alloy,Gold Plated
- ⑥ * Ground: Copper Alloy,Nickel Plated
- ⑦ * Gasket: EPDM,Blck
- ⑧ * Screw Nut: Aluminum Alloy,Black



		All dimension in mm	
		TOLERANCE UNLESS OTHERWISE SPECIFIED .X ± 0.25 .XX ± 0.1	REV. A SCALE Free
DRAWN BY Ann	APPROVED BY Roy	DATE(Y/M/D) 2024/11/08	PAGE 1/1 SIZE A4
PART NO: RJP08-B18H-PLD-01		TITLE: PUSH LOCK RJ45 PANEL WITH LED(GROUND)	
CUSTOMER NO:		THIS DOCUMENT IS CONFIDENTIAL AND A PROPERTY OF PRODACONN. DISCLOSURE TO THIRD PARTY HAS TO BE AUTHORIZED BY PRODACONN	