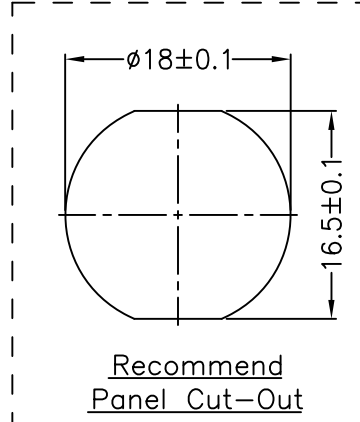
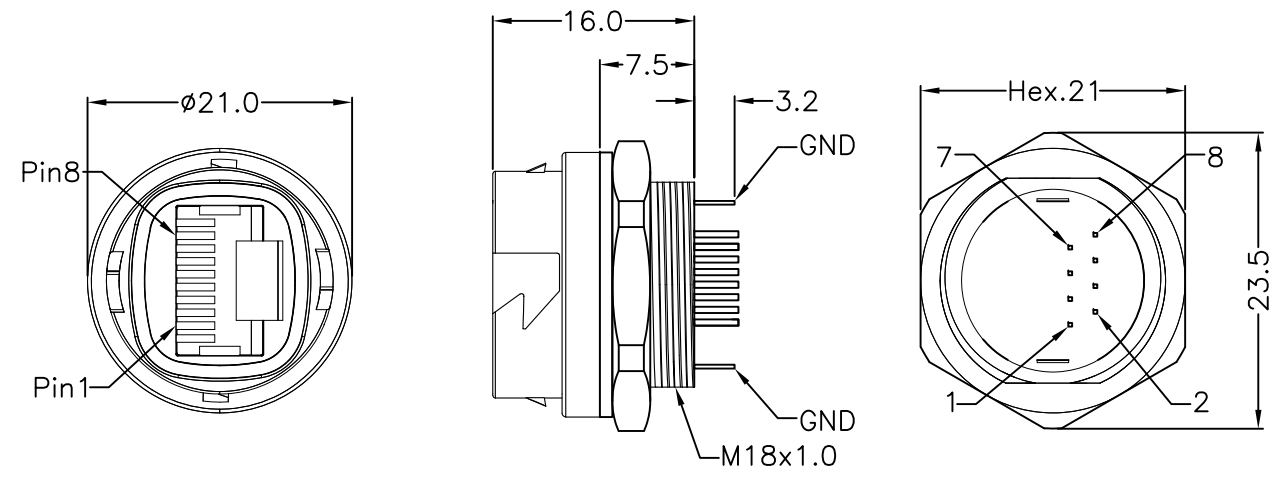


REV.	ECN NO.	DATE	SIGN	DESCRIPTION
A	Initial Release	2024/11/08	Ann	New Item



- Note:
- * Waterproof Rate: IP67
 - ① * Housing: PA66,UL94 V-0,Black
 - ② * O-Ring: Silicone
 - ③ * Contact: Copper Alloy,Gold Plated
 - ④ * Ground: Copper Alloy,Nickel Plated
 - ⑤ * Gasket: EPDM,Blck
 - ⑥ * Screw Nut: Aluminum Alloy,Black

		All dimension in mm	
		TOLERANCE UNLESS OTHERWISE SPECIFIED .X ±0.25 .XX ±0.1	REV. A SCALE Free
DRAWN BY Ann	APPROVED BY Roy	DATE(Y/M/D) 2024/11/08	PAGE 1/1 SIZE A4
PART NO: RJP08-B18H-PLD-00		TITLE: PUSH LOCK RJ45 PANEL(GROUND)	
CUSTOMER NO:		THIS DOCUMENT IS CONFIDENTIAL AND A PROPERTY OF PRODACONN DISCLOSURE TO THIRD PARTY HAS TO BE AUTHORIZED BY PRODACONN	