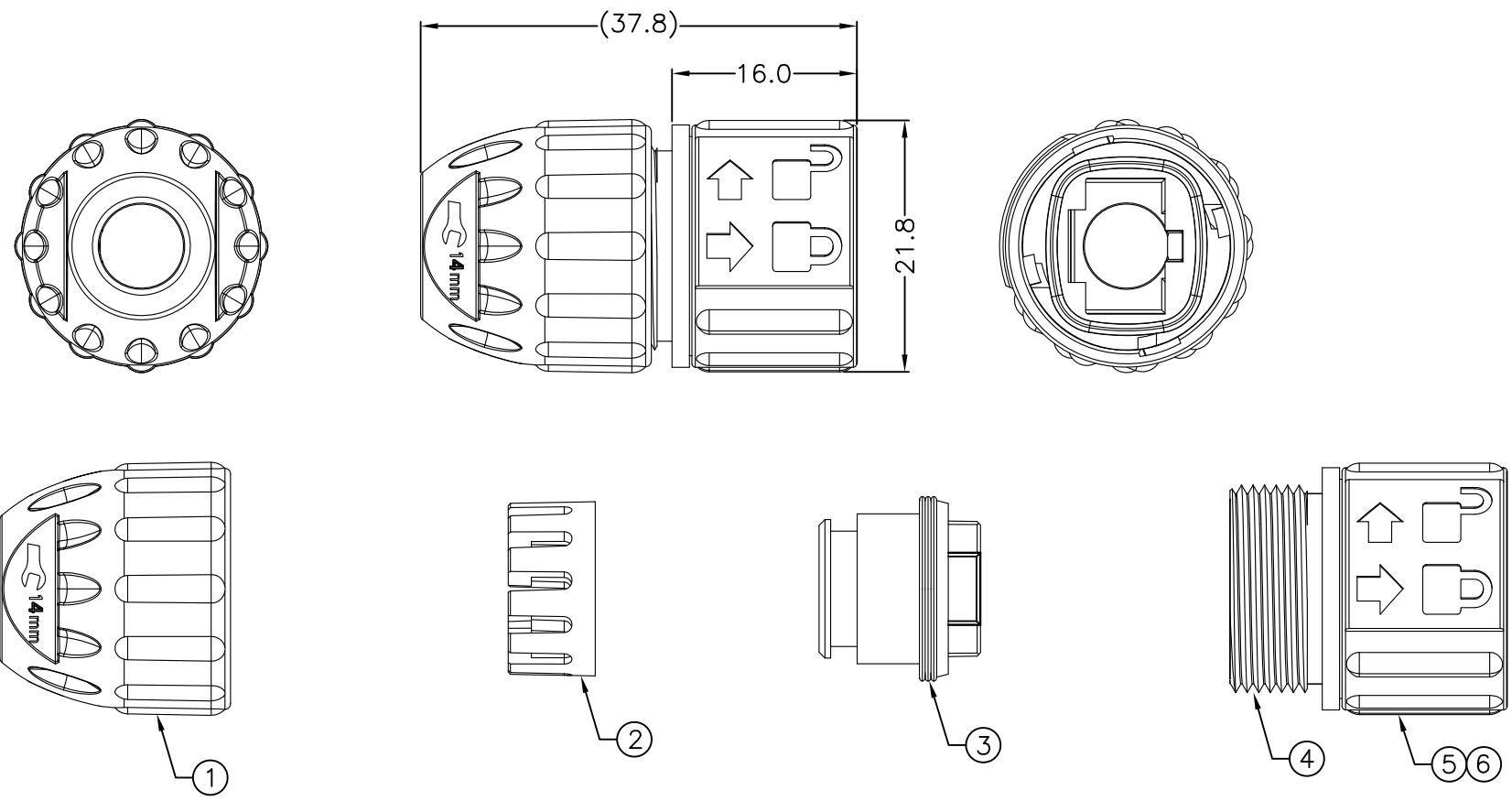


REV.	ECN NO.	DATE	SIGN	DESCRIPTION
A	Initial Release	2023/10/17	Ann	New Item



- Note:
- * IP Grade: IP67
 - ① * Nut: PA66,UL94V-0,Black
 - ② * Claw: PA66,UL94V-2,Black
 - ③ * Seal: EPDM,Black
 - ④ * Housing: PA66,UL94V-0,Black
 - ⑤ * Knob: PA66,UL94V-0,Black
 - ⑥ * Spring: SUS



		All dimension in mm	
		TOLERANCE UNLESS OTHERWISE SPECIFIED ± 0.5	REV. A SCALE Free
DRAWN BY Ann	APPROVED BY Roy	DATE(Y/M/D) 2024/10/19	PAGE 1/1 SIZE A4
PART NO: RJPB0-SASP-P00-00		TITLE PUSH LOCK RJ45 ASSY	
CUSTOMER NO:			
THIS DOCUMENT IS CONFIDENTIAL AND A PROPERTY OF PRODACONN. DISCLOSURE TO THIRD PARTY HAS TO BE AUTHORIZED BY PRODACONN			