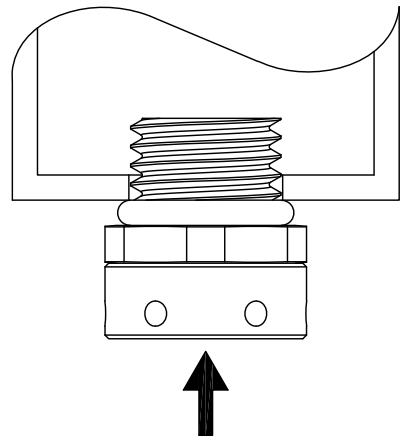
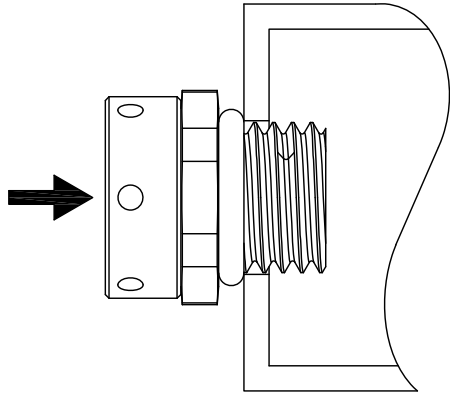
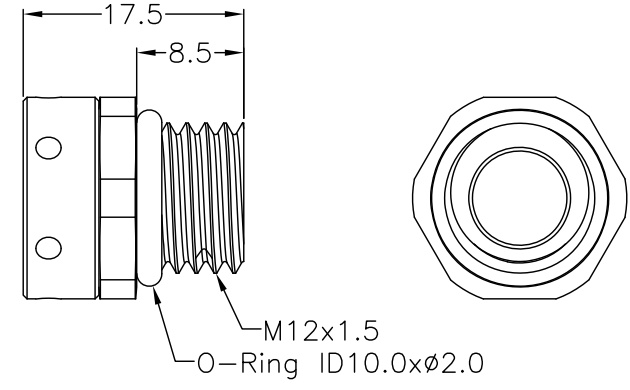
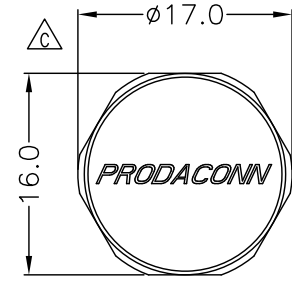


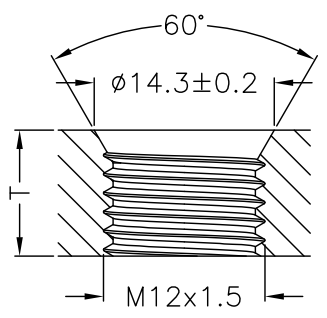
REV.	ECN NO.	DATE	SIGN	DESCRIPTION
A	Initial Release	2023/09/14	Ann	New Item
B		2024/06/06	Ann	Cancel Screw Nut
C		2024/07/30	Ann	Add PRODACONN Logo



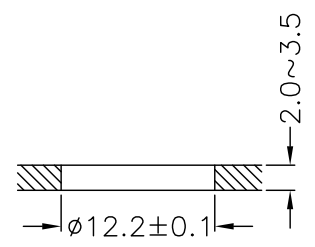
Recommend
Installation orientation



- Note:
- * IP Grade: IP68(Immersion For 60 Minutes At A Depth Of 2 Meter),IP69K
 - * Housing: SUS316L
 - * CAP: SUS316L
 - * Membrane: ePTFE
 - * O-Ring: Silicone,UL94 V-0
 - * Air Permeability: >1600ml/min @70mbar
 - * Reccommened Torrue: 6.0~8.0 Kgf.cm



Recommend
Panel Cut-Out



Recommend
Panel Cut-Out



		All dimension in mm	
		TOLERANCE UNLESS OTHERWISE SPECIFIED .X ±0.25 .XX ±0.1	REV. C SCALE Free
DRAWN BY Ann	APPROVED BY Roy	DATE(Y/M/D) 2023/09/14	PAGE 1/1 SIZE A4
PART NO: VNT00-P12A-S00-H0		TITLE METAL M12x1.5 VENT	
CUSTOMER NO:			
THIS DOCUMENT IS CONFIDENTIAL AND A PROPERTY OF PRODACONN DISCLOSURE TO THIRD PARTY HAS TO BE AUTHORIZED BY PRODACONN			