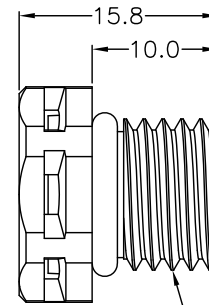
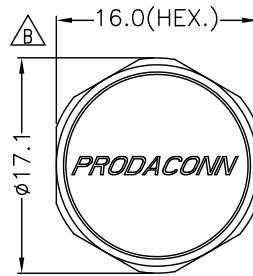


Part No.:  
VNTXX-P12H-SX0-H0

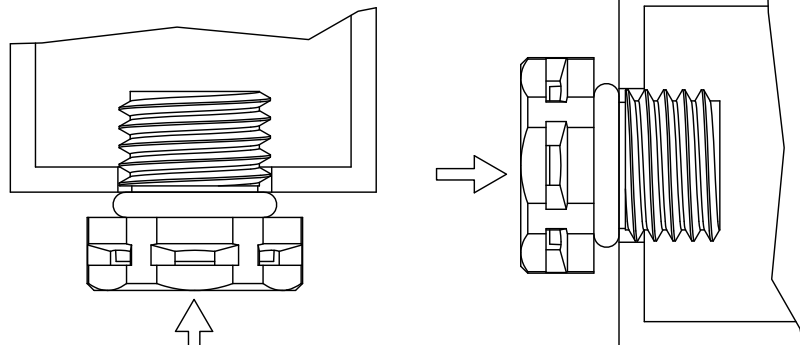
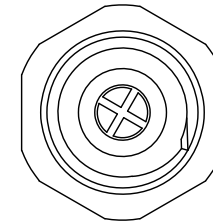
N: With Nut  
O: Without Nut

透氣量 ml/Min At 7 Kpa

- 01: 1000~1500(Body: Black;O-Ring: Blue)
- 02: 3000~4000(Body: Black;O-Ring: Green)
- 03: >5000(Body: Black;O-Ring: Red)



M12x1.5  
O-Ring ID10.0x2.0



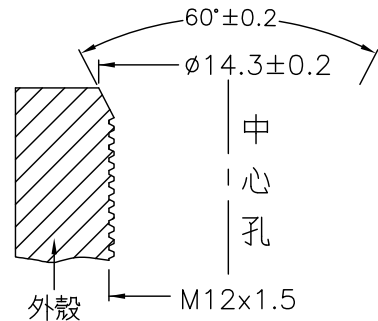
Recommend  
Installation orientation



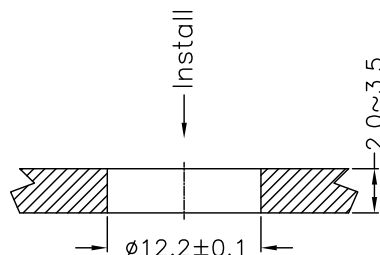
Note:

- \* IP Grade: IP68/IP69K
- \* Body: Nylon,UL 94V-0,F1
- \* Membrane: ePTFE
- \* O-Ring: Silicone,UL 94V-0
- \* Screw Nut: Nylon,UL 94V-0,F1
- \* CAP: Nylon,UL 94V-0,F1
- \* Nut Torque Force: 6.0~8.0 Kgf.cm

Threaded-hole

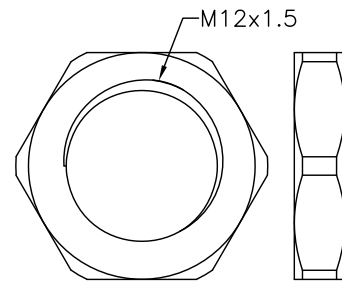


Through-hole



Recommend Panel Cut-Out

Recommend Panel Cut-Out



Nut



All dimension in mm

TOLERANCE UNLESS OTHERWISE SPECIFIED  
.X ±0.25  
.XX ±0.1  
.XXX ±0.05  
ANGLES ±1°

REV. B

SCALE Free

DRAWN BY Ann

APPROVED BY Roy

DATE(Y/M/D) 2024/07/02

PAGE 1/1  
SIZE A4

PART NO: VNTXX-P12H-SX0-H0

TITLE VENT,M12x1.5

CUSTOMER NO:

THIS DOCUMENT IS CONFIDENTIAL AND A PROPERTY OF PRODACONN. DISCLOSURE TO THIRD PARTY HAS TO BE AUTHORIZED BY PRODACONN