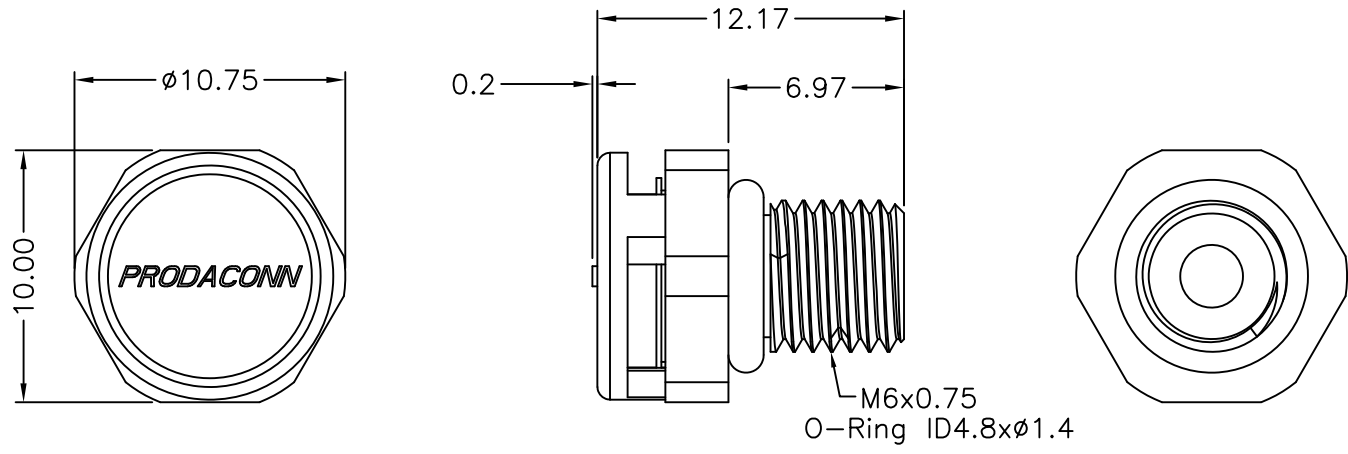
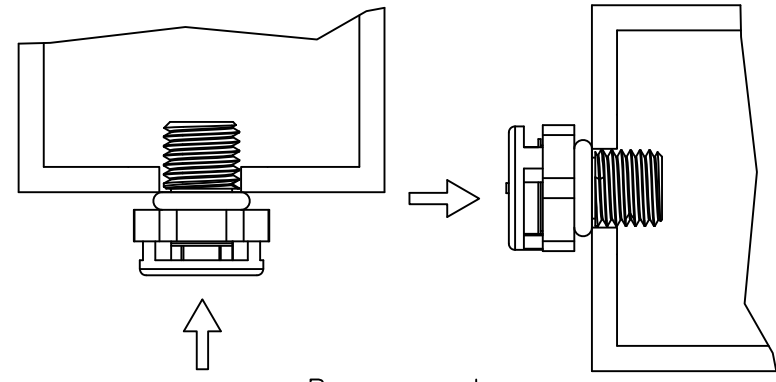
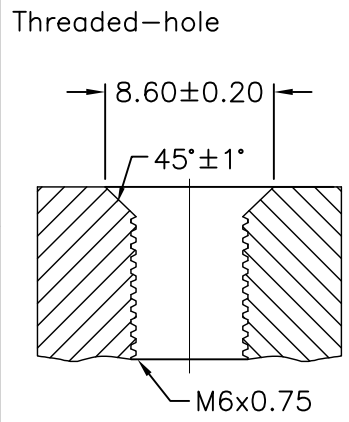


REV.	ECN NO.	DATE	SIGN	DESCRIPTION
A	Initial Release	2025/01/17	Delu	Change Rev.01 To Rev.A



- Note:
- * IP Grade: IP68/IP66
 - * Body: Thermoplastic, 94V-0, UV Resistance
 - * Membrane: ePTFE
 - * O-Ring: Silicone, 94V-0
 - * Recommended Torque: 2.0~4.0 Kgf.cm



Recommend Panel Cut-Out

Recommend Installation orientation

		All dimension in mm	
		TOLERANCE UNLESS OTHERWISE SPECIFIED .X ±0.25 .XX ±0.1 .XXX ±0.05 ANGLES ±1°	REV. A SCALE Free
DRAWN BY Delu	APPROVED BY Roy	DATE(Y/M/D) 2024/09/24	PAGE 1/1 SIZE A4
PART NO: VNT00-P06H-S00-H0		TITLE VENT,M6x0.75	
CUSTOMER NO:			
THIS DOCUMENT IS CONFIDENTIAL AND A PROPERTY OF PRODACONN. DISCLOSURE TO THIRD PARTY HAS TO BE AUTHORIZED BY PRODACONN			