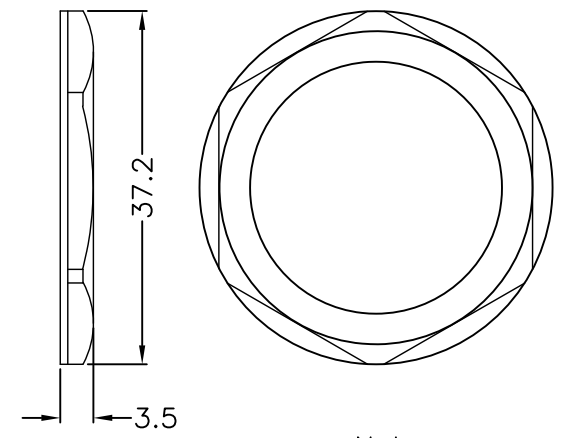
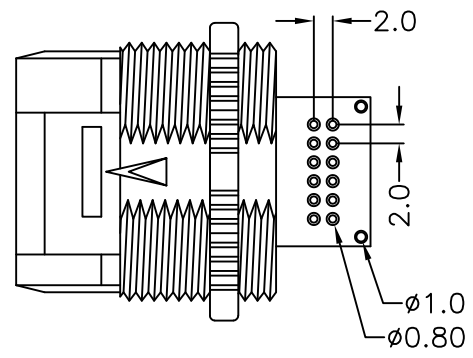


REV.	ECN NO.	DATE	SIGN	DESCRIPTION
A	Initial Release	2024/11/01	Ann	New Item

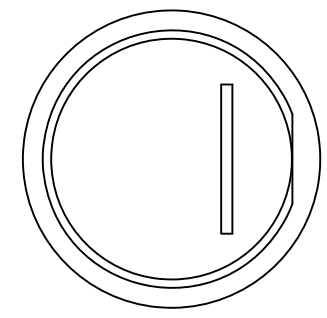
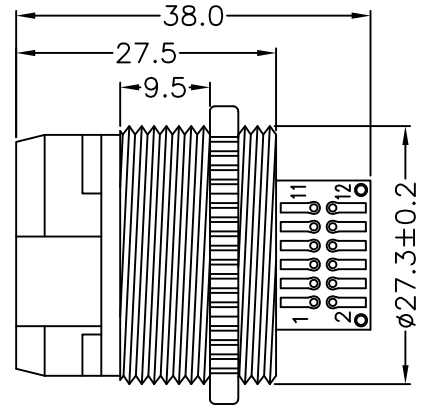
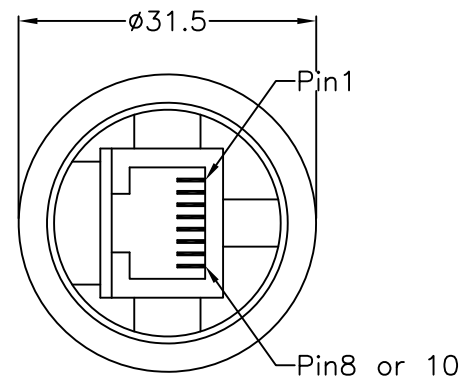
Part No.:  
RJPXX-D27F-PLB-00

Pin Number  
08: 8Pin  
10: 10Pin

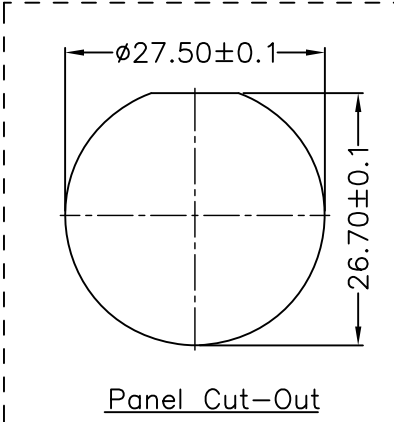


Shield	Shield	12
NC	NC	11
10		10
9	8	9
8	7	8
7	6	7
6	5	6
5	4	5
4	3	4
3	2	3
2	1	2
1		1
10P	8P	PCB

Pin Definition



- Note:
- \* Housing: Nylon+GF,Black
  - \* RJ45 Jack: Shielded Jack 8Pin or 10Pin
  - \* PCB: FR-4
  - \* Gasket: EPDM,Black
  - \* Nut: Nylon+GF,Black
- Recommendation:
- \* Waterproof Rate: IP67
  - \* For Panel Thickness Max 5.0mm



**PRODACONN**

⊕ All dimension in mm

TOLERANCE UNLESS OTHERWISE SPECIFIED	REV.
.X ±0.25	A
.XX ±0.1	SCALE
	Free

DRAWN BY	Ann	APPROVED BY	Roy	DATE(Y/M/D)	2024/11/01	PAGE	1/1	SIZE	A4
PART NO.:	RJPXX-D27F-PLB-00			TITLE					
CUSTOMER NO.:				PUSH LOCK RJ45 JACK					

THIS DOCUMENT IS CONFIDENTIAL AND A PROPERTY OF PRODACONN. DISCLOSURE TO THIRD PARTY HAS TO BE AUTHORIZED BY PRODACONN