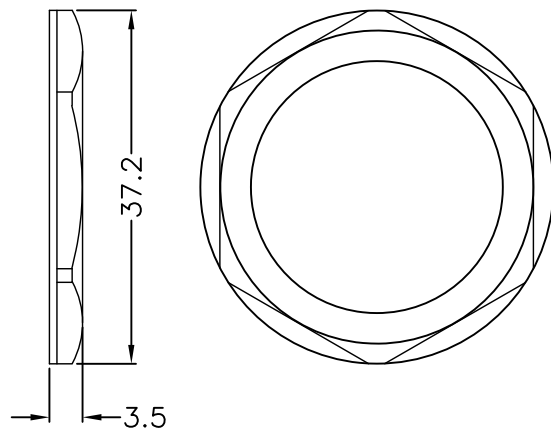
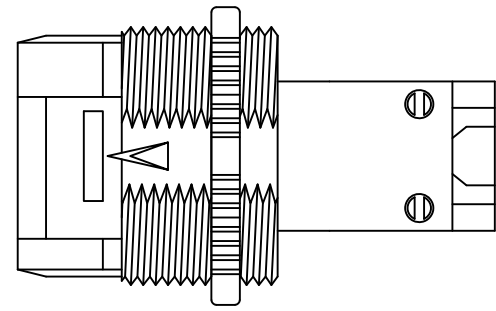


5	6	7	8
REV. A	ECN NO. Initial Release	DATE 2024/11/01	SIGN Ann
			DESCRIPTION New Item

Part No.:
RJPXX-D27F-PDU-00

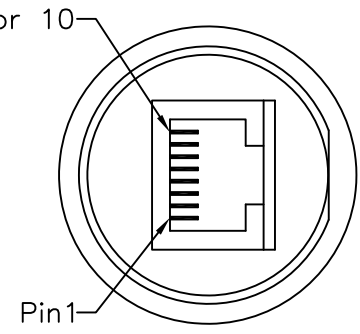
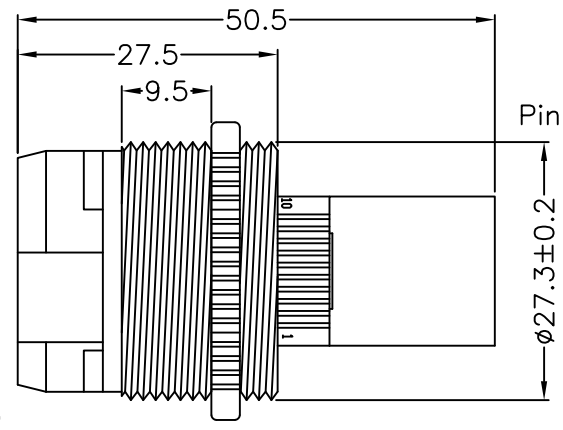
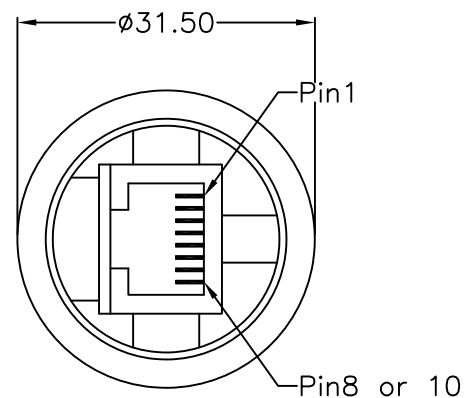
Pin Number
08: 8Pin
10: 10Pin



Nut

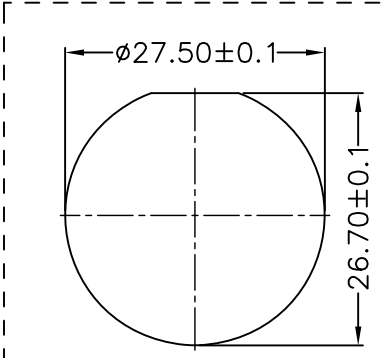
Shield		Shield
10		10
9		9
8		8
7		7
6		6
5		5
4		4
3		3
2		2
1		1
8P&10P		8P&10P

Pin Definition



- Note:
- * Housing: Nylon+GF,Black
 - * RJ45 Jack: Shielded Jack 8Pin or 10Pin
 - * PCB: FR-4
 - * Gasket: EPDM,Black
 - * Nut: Nylon+GF,Black

- Recommendation:
- * Waterproof Rate: IP67
 - * For Panel Thickness Max 5.0mm



Panel Cut-Out

⊕ All dimension in mm

TOLERANCE UNLESS OTHERWISE SPECIFIED	REV. A
.X ±0.25	SCALE Free
.XX ±0.1	

DRAWN BY Ann	APPROVED BY Roy	DATE(Y/M/D) 2024/11/01	PAGE 1/1 SIZE A4
PART NO: RJPXX-D27F-PDU-00		TITLE PUSH LOCK RJ45 JACK	
CUSTOMER NO:			

THIS DOCUMENT IS CONFIDENTIAL AND A PROPERTY OF PRODACONN. DISCLOSURE TO THIRD PARTY HAS TO BE AUTHORIZED BY PRODACONN