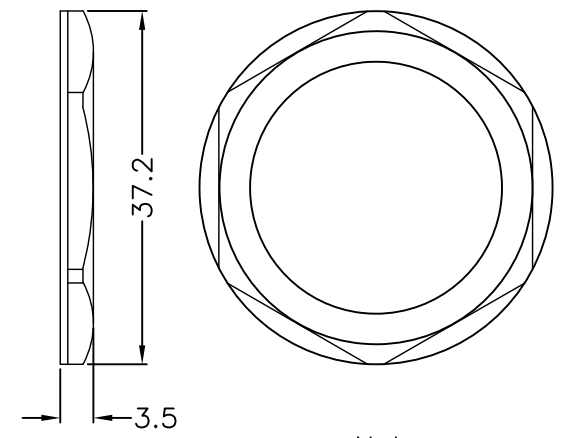
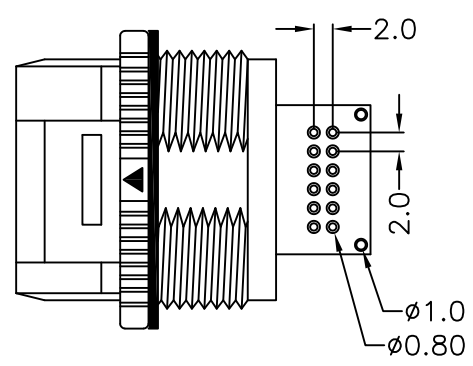
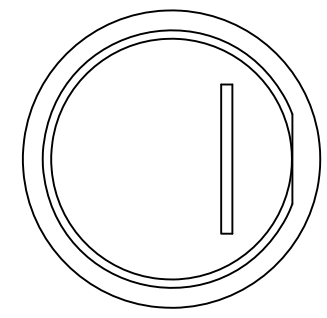
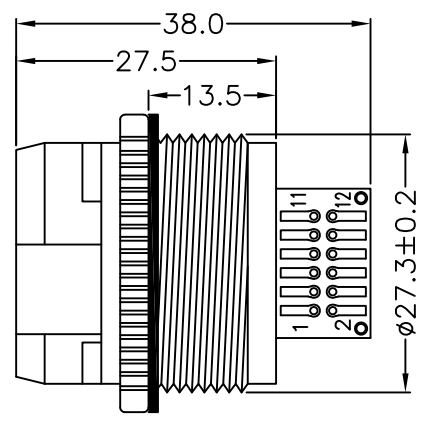
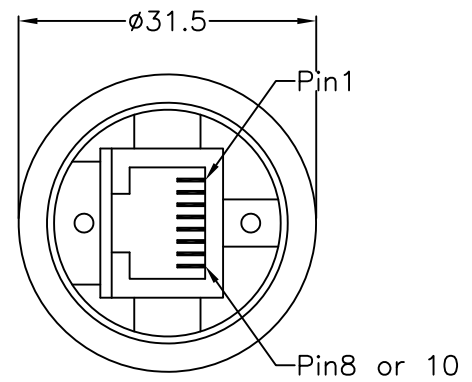


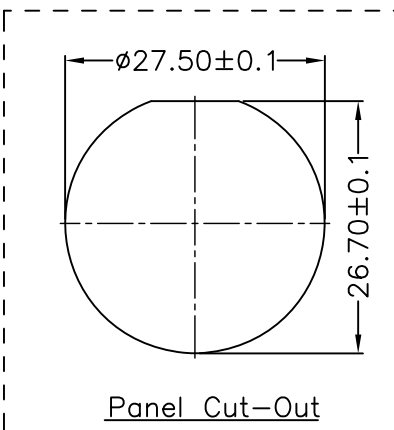
REV.	ECN NO.	DATE	SIGN	DESCRIPTION
A	Initial Release	2024/11/01	Ann	New Item



Shield	Shield	12
NC	NC	11
10		10
9	8	9
8	7	8
7	6	7
6	5	6
5	4	5
4	3	4
3	2	3
2	1	2
1		1
10P	8P	PCB
Pin Definition		



- Note:
- * Housing: Nylon+GF,Black
 - * RJ45 Jack: Shielded Jack 8Pin or 10Pin
 - * PCB: FR-4
 - * Gasket: EPDM,Black
 - * Nut: Nylon+GF,Black
- Recommendation:
- * Waterproof Rate: IP67
 - * For Panel Thickness Max 5.0mm



⊕ All dimension in mm

TOLERANCE UNLESS OTHERWISE SPECIFIED

.X ±0.25

.XX ±0.1

DRAWN BY	Ann	APPROVED BY	Roy	DATE(Y/M/D)	2024/11/01	REV.	A	
PART NO:	RJP08-D27H-PLB-00		TITLE		PUSH LOCK RJ45 JACK			
CUSTOMER NO:					PAGE	1/1	SIZE	A4
THIS DOCUMENT IS CONFIDENTIAL AND A PROPERTY OF PRODACONN. DISCLOSURE TO THIRD PARTY HAS TO BE AUTHORIZED BY PRODACONN								