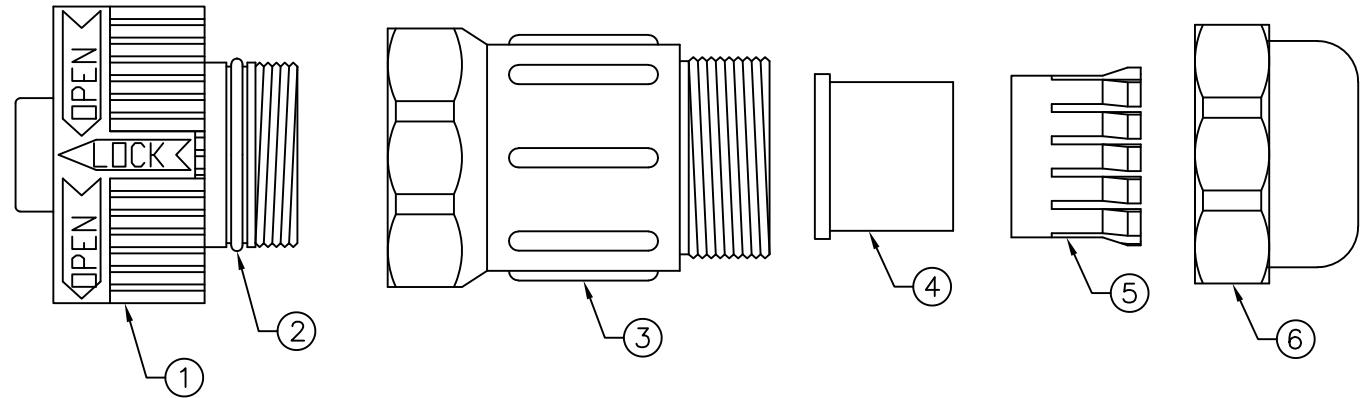
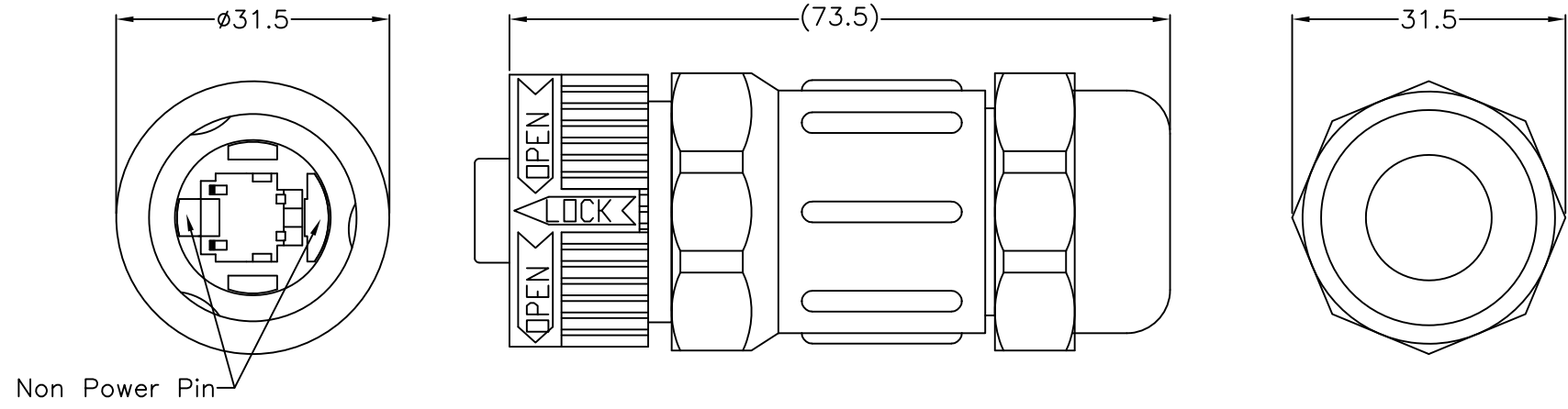


5	REV.	ECN NO.	DATE	SIGN	DESCRIPTION
	A	Initial Release	2024/11/01	Ann	New Item



Note:

- ①\* Connector: Nylon+GF,Black
- ②\* O-Ring: EPDM,Black
- ③\* Housing: Nylon+GF,Black
- ④\* Seal: EPDM,Black
- ⑤\* Wire Clip: Nylon
- ⑥\* Sealing Nut: Nylon+GF,Black

Recommendation:

- \* Waterproof Rate: IP67
- \* For Cable OD:  $\phi 5.0 \sim \phi 7.0$
- \* RJ45 Plug 置於組裝殼內



		All dimension in mm	
		TOLERANCE UNLESS OTHERWISE SPECIFIED $\pm 0.5$	REV. A SCALE Free
DRAWN BY Ann	APPROVED BY Roy	DATE(Y/M/D) 2024/11/01	PAGE 1/1 SIZE A4
PART NO: RJPD0-SASP-P00-00		TITLE PUSH LOCK RJ45 PLUG ASSY	
CUSTOMER NO:		THIS DOCUMENT IS CONFIDENTIAL AND A PROPERTY OF PRODACONN. DISCLOSURE TO THIRD PARTY HAS TO BE AUTHORIZED BY PRODACONN	