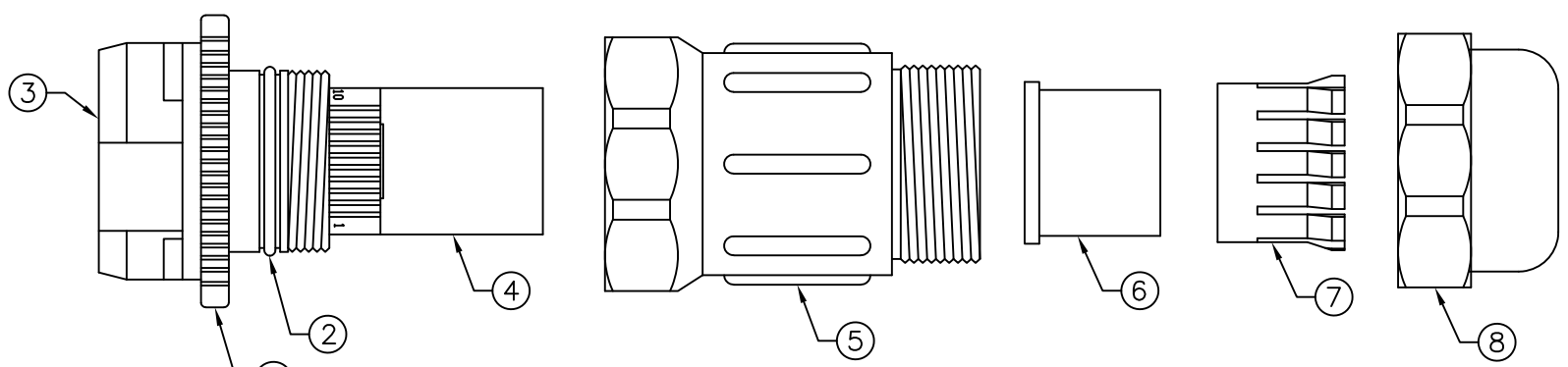
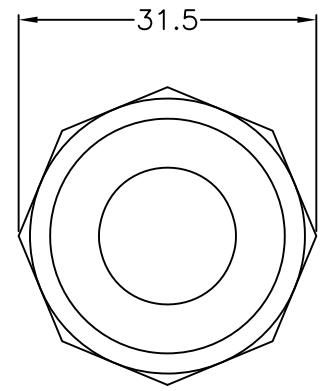
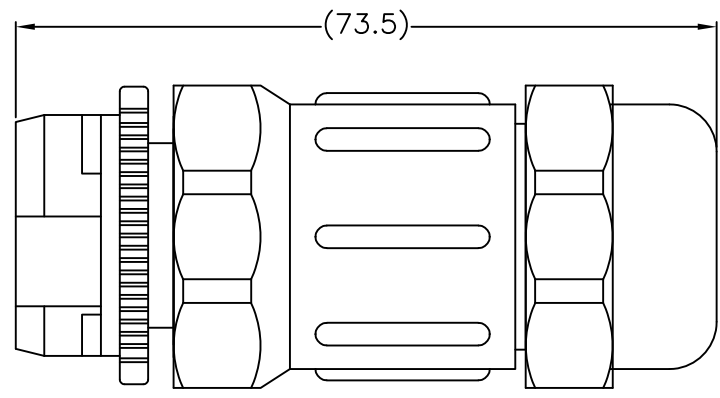
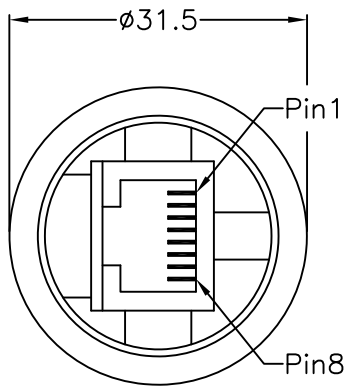


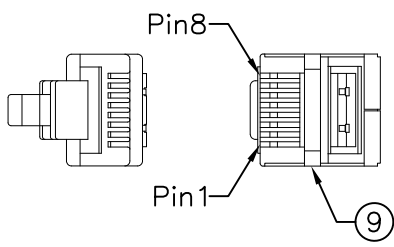
REV.	ECN NO.	DATE	SIGN	DESCRIPTION
A	Initial Release	2024/11/01	Ann	New Item



Note:

- ① * Connector: Nylon+GF,Black
- ② * O-Ring: EPDM,Black
- ③ * RJ45 Jack: Shielded Jack 8P
- ④ * PCB: FR-4
- ⑤ * Housing: Nylon+GF,Black
- ⑥ * Seal: EPDM,Black
- ⑦ * Wire Clip: Nylon
- ⑧ * Sealing Nut: Nylon+GF,Black
- ⑨ * Additional: RJ45 Plug 8P8C Short Body Shielded

- Recommendation:
- * Waterproof Rate: IP67
 - * For Cable OD: $\phi 5.0 \sim \phi 7.0$



		All dimension in mm	
		TOLERANCE UNLESS OTHERWISE SPECIFIED ± 0.5	REV. A SCALE Free
DRAWN BY Ann	APPROVED BY Roy	DATE(Y/M/D) 2024/11/01	PAGE 1/1 SIZE A4
PART NO: RJPD0-PASP-PP0-00		TITLE PUSH LOCK RJ45 JACK ASSY	
CUSTOMER NO:		THIS DOCUMENT IS CONFIDENTIAL AND A PROPERTY OF PRODACONN. DISCLOSURE TO THIRD PARTY HAS TO BE AUTHORIZED BY PRODACONN	