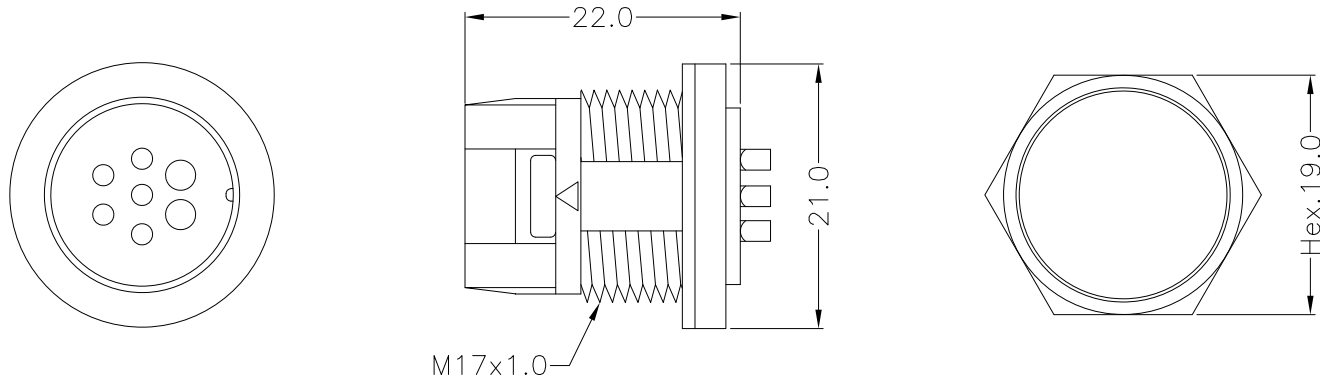


REV.	ECN NO.	DATE	SIGN	DESCRIPTION
A	Initial Release	2024/12/26	Ann	New Item

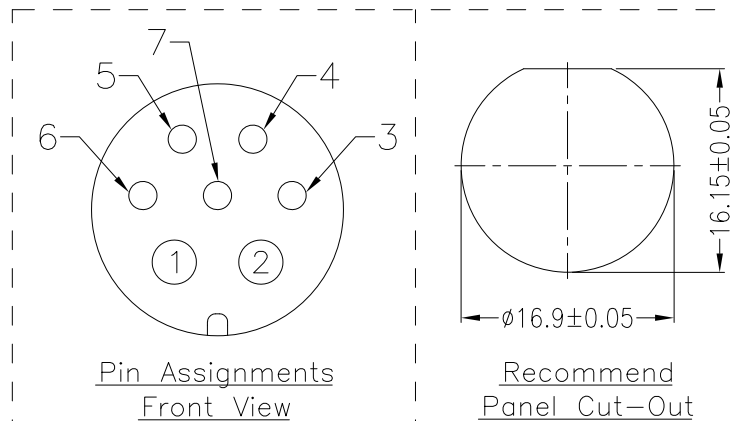


Note:

- \* Waterproof Rate: IP67
- \* Housing: PA66+GF,Black
- \* Pin: Brass,Gold Plated
- \* Gasket: EPDM,Black
- \* Nut: Aluminum Alloy,Black

Electrical Specification:

- \* Rated current: 7A+3A
- \* Rated Voltage: 250V



		All dimension in mm	
		TOLERANCE UNLESS OTHERWISE SPECIFIED $\pm 0.5$	REV. A SCALE Free
DRAWN BY Ann	APPROVED BY Roy	DATE(Y/M/D) 2024/12/26	PAGE 1/1 SIZE A4
PART NO: PLB07-MZYF-LS0-00		TITLE PUSH LOCK CIRCULAR B SIZE,FRONT MOUNT	
CUSTOMER NO:			
THIS DOCUMENT IS CONFIDENTIAL AND A PROPERTY OF PRODACONN DISCLOSURE TO THIRD PARTY HAS TO BE AUTHORIZED BY PRODACONN			