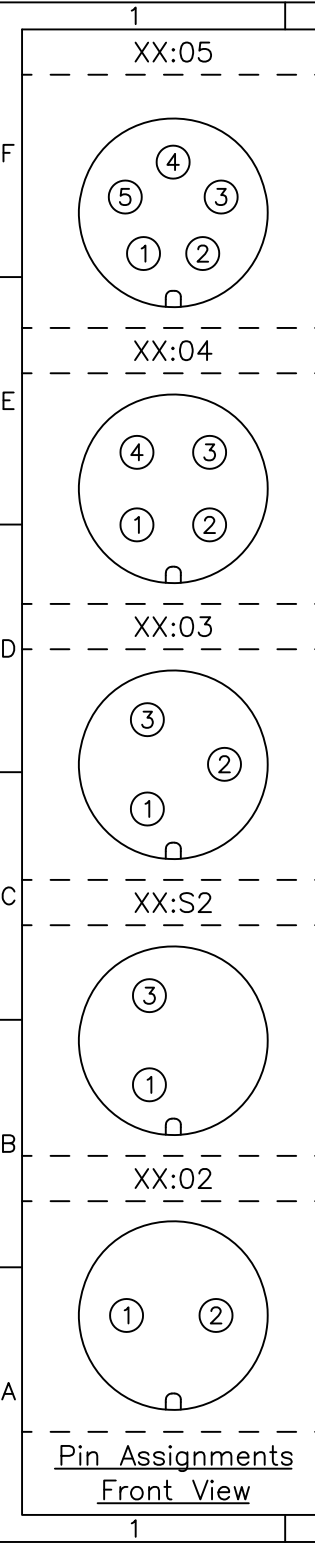
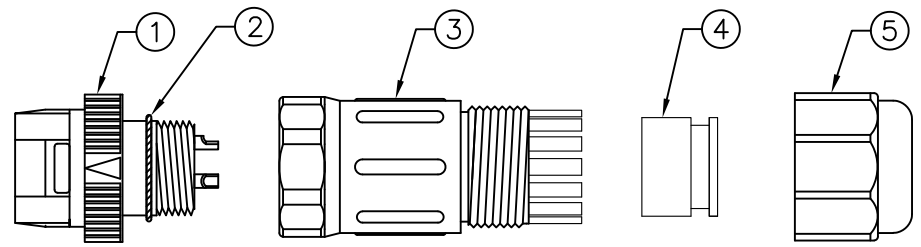
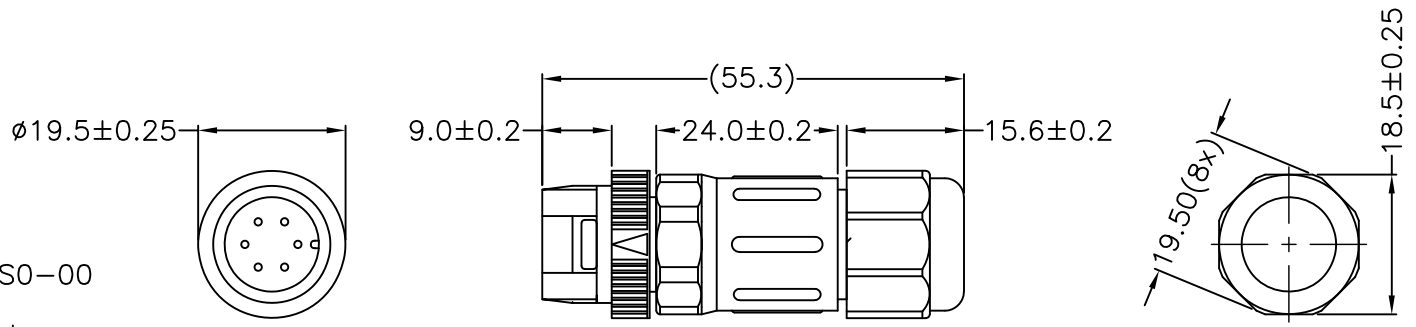


| | | | | |
|------|-----------------|------------|------|-------------|
| REV. | ECN NO. | DATE | SIGN | DESCRIPTION |
| A | Initial Release | 2024/10/19 | Ann | New Item |
| | | | | |
| | | | | |



Part No.:
PLBXX-MB0A-LS0-00

- Pin Number
- 02: 2Pin
 - S2: 2Pin
 - 03: 3Pin
 - 04: 4Pin
 - 05: 5Pin



- Note:
- ①* Connector: PA66,UL94V-0,Black
Pin: Brass,Gold Plated
 - ②* O-Ring: NBR,Black
 - ③* Body Housing: PA66,UL94V-1
 - ④* Rubber Seal: EPDM,Black
 - ⑤* Sealing Nut: PA66,UL94V-1

- Electrical Specification:
- * Rated current: 10A
 - * Rated Voltage: 250V
- Recommendation:
- * Waterproof Rate: IP67
 - * For Cable: $\phi 4.0 \sim \phi 8.0$
 $\phi 8.0 \sim \phi 10.0$



| | | | |
|--------------------------------|--------------------|--|----------------------|
| | | All dimension in mm | |
| | | TOLERANCE UNLESS OTHERWISE SPECIFIED ± 0.5 | REV. A SCALE Free |
| DRAWN BY Ann | APPROVED BY Roy | DATE(Y/M/D) 2024/10/19 | PAGE 1/1 SIZE A4 |
| PART NO.: PLBXX-MB0A-LS0-00 | | TITLE PUSH LOCK CIRCULAR B SIZE | |
| CUSTOMER NO.: | | THIS DOCUMENT IS CONFIDENTIAL AND A PROPERTY OF PRODACONN. DISCLOSURE TO THIRD PARTY HAS TO BE AUTHORIZED BY PRODACONN | |

Pin Assignments
Front View