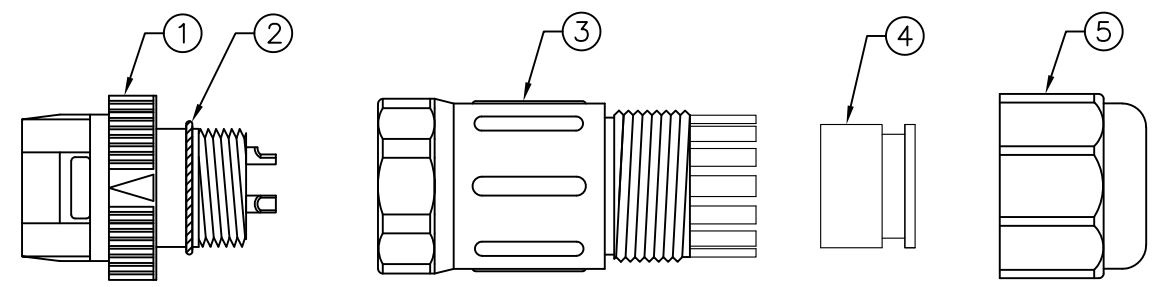
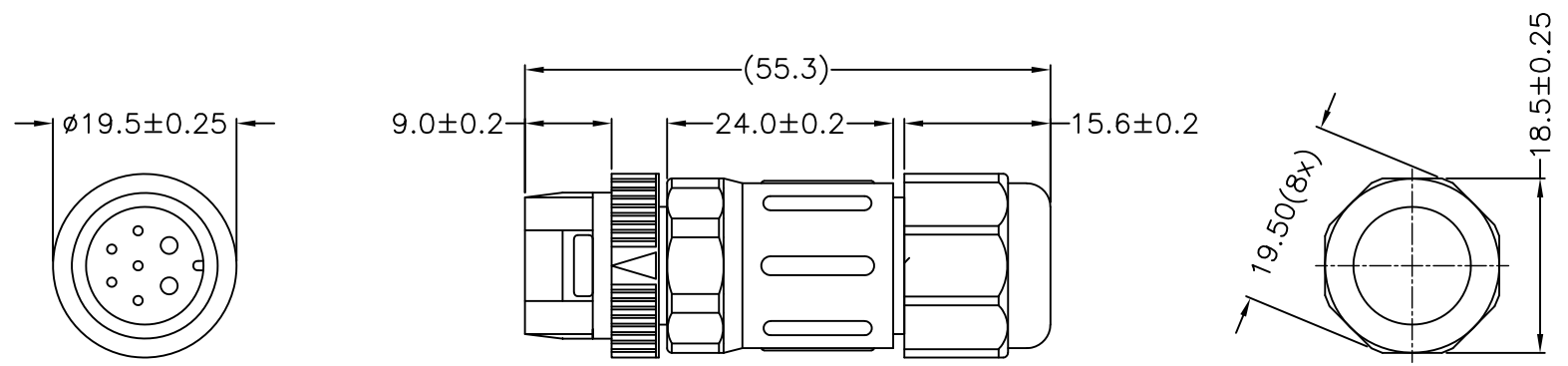


REV.	ECN NO.	DATE	SIGN	DESCRIPTION
A	Initial Release	2024/10/19	Ann	New Item

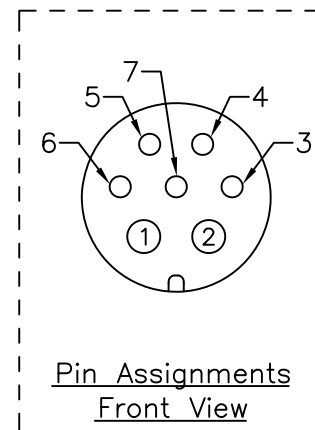


Note:

- ①* Connector: PA66,UL94V-0,Black
Pin: Brass,Gold Plated
- ②* O-Ring: NBR,Black
- ③* Body Housing: PA66,UL94V-1
- ④* Rubber Seal: EPDM,Black
- ⑤* Sealing Nut: PA66,UL94V-1

Electrical Specification:
 * Rated current: 7A+3A
 * Rated Voltage: 250V

Recommendation:
 * Waterproof Rate: IP67
 * For Cable: $\phi 4.0 \sim \phi 8.0$
 $\phi 8.0 \sim \phi 10.0$



		All dimension in mm	
		TOLERANCE UNLESS OTHERWISE SPECIFIED ± 0.5	REV. A SCALE Free
DRAWN BY Ann	APPROVED BY Roy	DATE(Y/M/D) 2024/10/19	PAGE 1/1 SIZE A4
PART NO: PLB07-MZYA-LS0-00		TITLE PUSH LOCK CIRCULAR B SIZE	
CUSTOMER NO:		THIS DOCUMENT IS CONFIDENTIAL AND A PROPERTY OF PRODACONN. DISCLOSURE TO THIRD PARTY HAS TO BE AUTHORIZED BY PRODACONN	