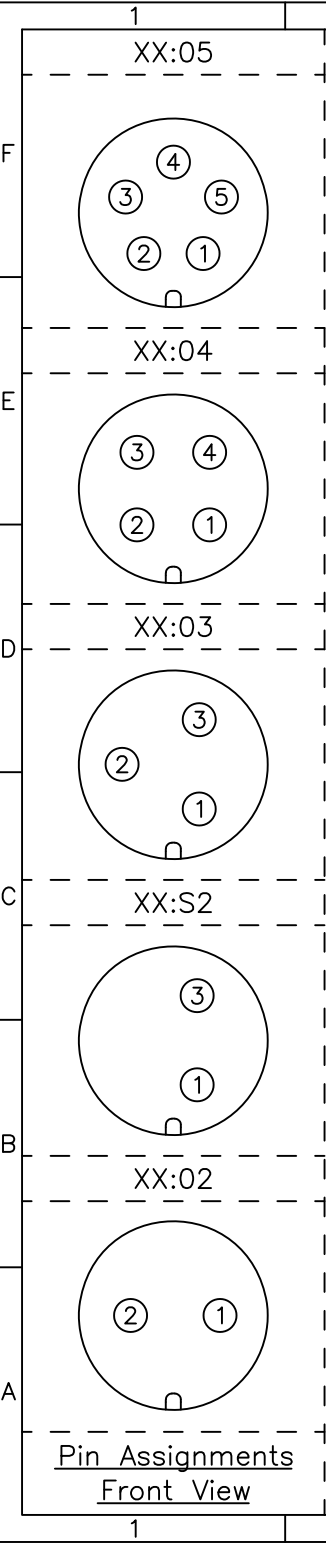


REV.	ECN NO.	DATE	SIGN	DESCRIPTION
A	Initial Release	2024/10/19	Ann	New Item



Part No.:  
PLBXX-FB0A-LS0-00

- Pin Number
- 02: 2Pin
- S2: 2Pin
- 03: 3Pin
- 04: 4Pin
- 05: 5Pin

Note:

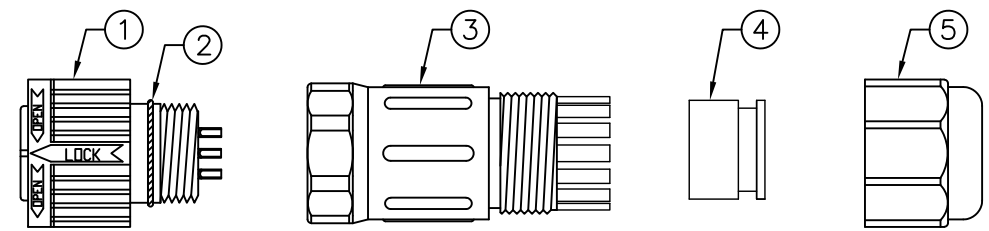
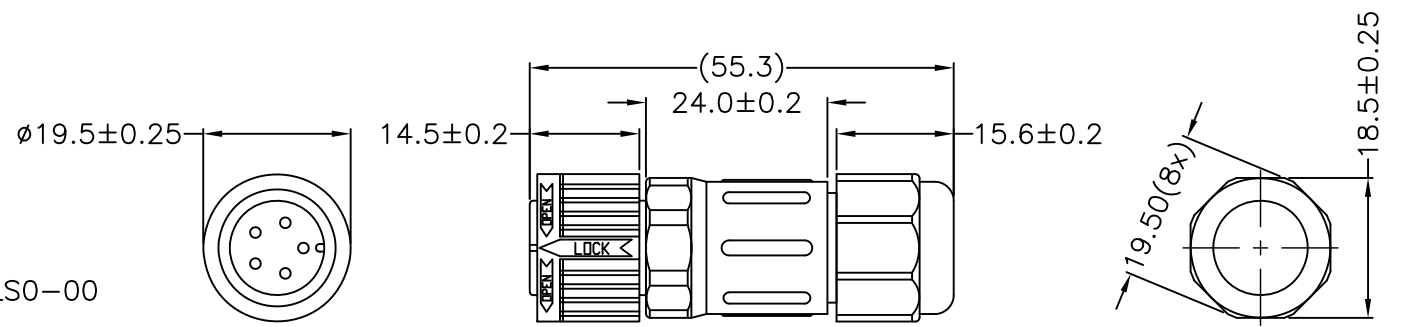
- ①\* Connector: PA66,UL94V-0,Black  
Pin: Brass,Gold Plated
- ②\* O-Ring: NBR,Black
- ③\* Body Housing: PA66,UL94V-1
- ④\* Rubber Seal: EPDM,Black
- ⑤\* Sealing Nut: PA66,UL94V-1

Electrical Specification:

- \* Rated current: 10A
- \* Rated Voltage: 250V

Recommendation:

- \* Waterproof Rate: IP67
- \* For Cable OD:  $\phi 4.0 \sim \phi 8.0$   
 $\phi 8.0 \sim \phi 10.0$



		All dimension in mm	
		TOLERANCE UNLESS OTHERWISE SPECIFIED $\pm 0.5$	REV. A SCALE Free
DRAWN BY Ann	APPROVED BY Roy	DATE(Y/M/D) 2024/10/19	PAGE 1/1 SIZE A4
PART NO.: PLBXX-FB0A-LS0-00		TITLE PUSH LOCK CIRCULAR B SIZE	
CUSTOMER NO.:		THIS DOCUMENT IS CONFIDENTIAL AND A PROPERTY OF PRODACONN. DISCLOSURE TO THIRD PARTY HAS TO BE AUTHORIZED BY PRODACONN	