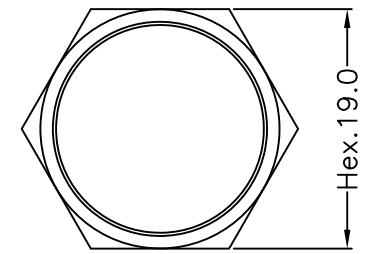
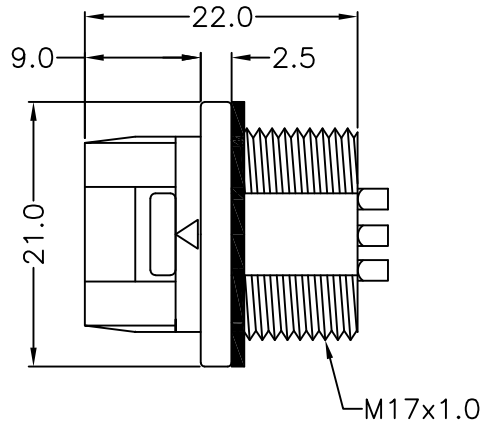
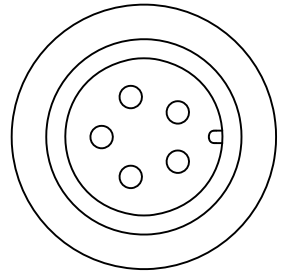
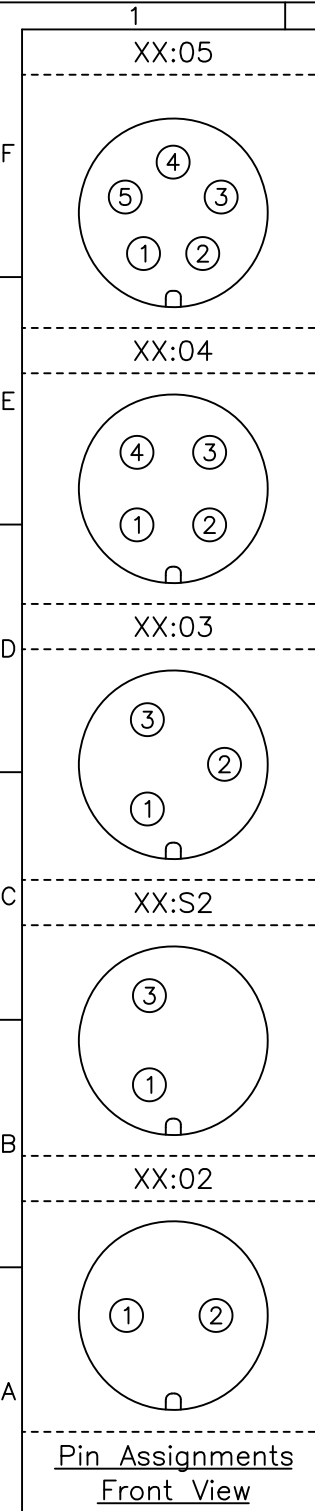


REV.	ECN NO.	DATE	SIGN	DESCRIPTION
A	Initial Release	2024/10/19	Ann	New Item



Part No.:
 PLBXX-MB0H-LS0-00

Pin Number

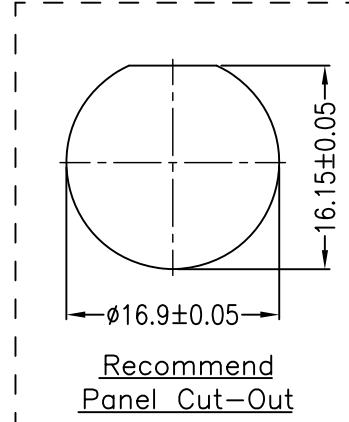
02: 2Pin
 S2: 2Pin
 03: 3Pin
 04: 4Pin
 05: 5Pin

Note:

- * Waterproof Rate: IP67
- * Housing: PA66+GF,Black
- * Pin: Brass,Gold Plated
- * Gasket: EPDM,Black
- * Nut: Aluminum Alloy,Black

Electrical Specification:

- * Rated current: 10A
- * Rated Voltage: 250V



		All dimension in mm	
		TOLERANCE UNLESS OTHERWISE SPECIFIED ± 0.5	REV. A SCALE Free
DRAWN BY Ann	APPROVED BY Roy	DATE(Y/M/D) 2024/10/19	PAGE 1/1 SIZE A4
PART NO.: PLBXX-MB0H-LS0-00		TITLE: PUSH LOCK CIRCULAR B SIZE,REAR MOUNT	
CUSTOMER NO.:		THIS DOCUMENT IS CONFIDENTIAL AND A PROPERTY OF PRODACONN DISCLOSURE TO THIRD PARTY HAS TO BE AUTHORIZED BY PRODACONN	

Pin Assignments
 Front View

Recommend
 Panel Cut-Out