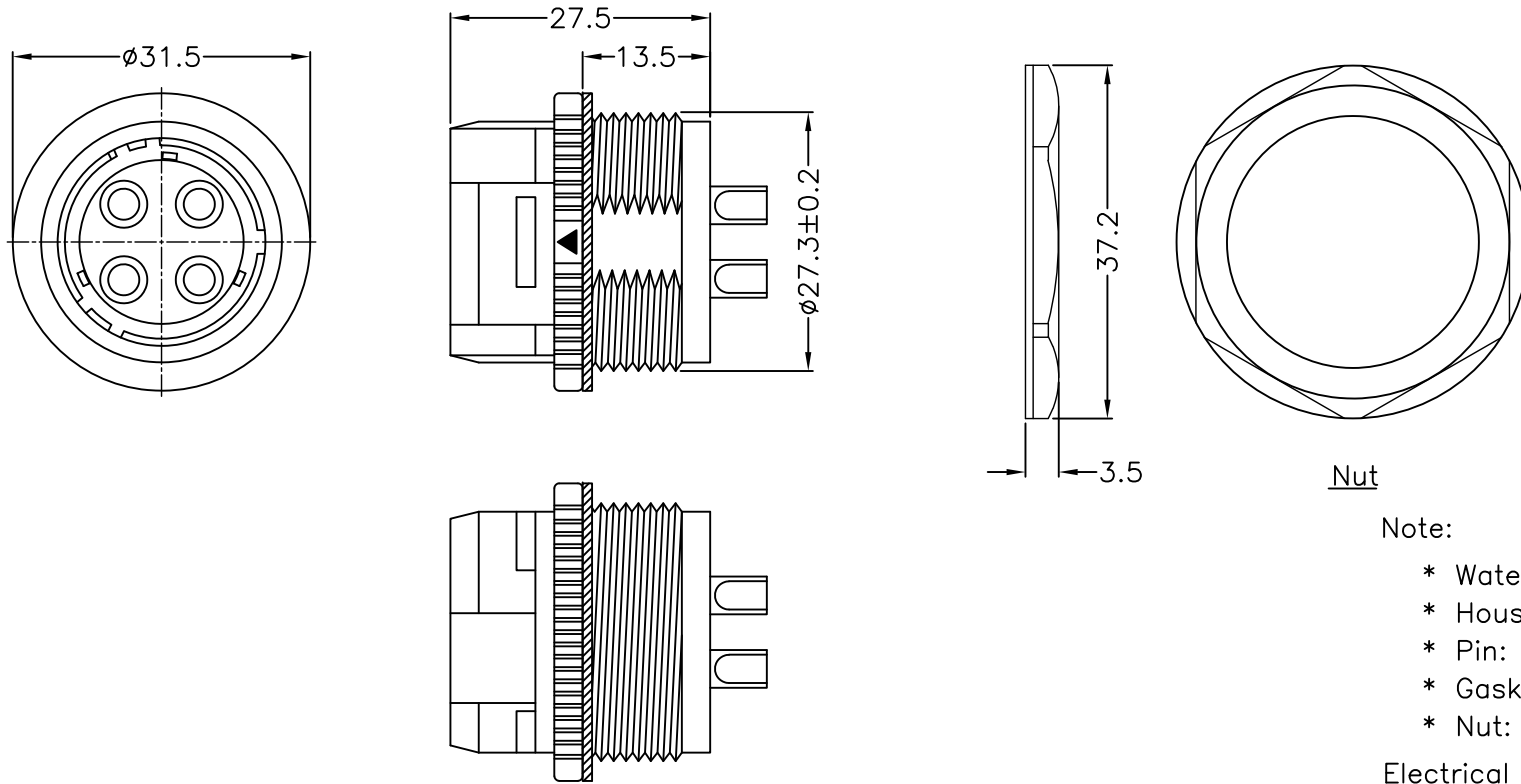


5	6	7	8
REV. A	ECN NO. Initial Release	DATE 2024/11/01	SIGN Ann DESCRIPTION New Item



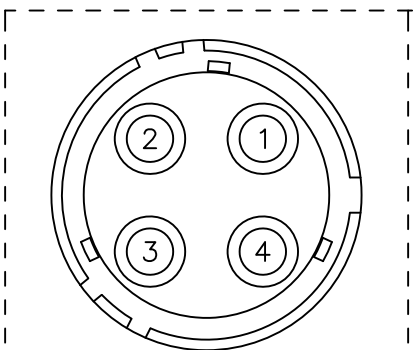
Nut

Note:

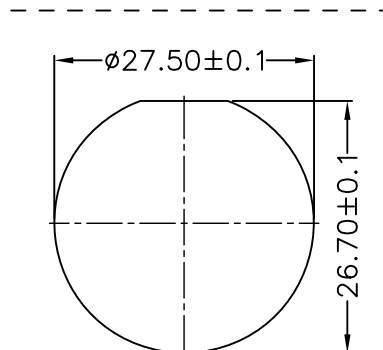
- \* Waterproof Rate: IP67
- \* Housing: Nylon+GF,Black
- \* Pin: Brass,Gold Plated
- \* Gasket: EPDM,Black
- \* Nut: Nylon+GF,Black

Electrical Specification:

- \* Rated current: 40A
- \* Rated Voltage: 500V



Pin Assignments  
Front View



Panel Cut-Out

		All dimension in mm	
		TOLERANCE UNLESS OTHERWISE SPECIFIED .X ±0.25 .XX ±0.1	REV. A SCALE Free
DRAWN BY Ann	APPROVED BY Roy	DATE(Y/M/D) 2024/11/01	PAGE 1/1 SIZE A4
PART NO: PLD04-MG0H-LS0-00		TITLE PUSH LOCK CIRCULAR D SIZE,REAR MOUNT	
CUSTOMER NO:			
THIS DOCUMENT IS CONFIDENTIAL AND A PROPERTY OF PRODACONN DISCLOSURE TO THIRD PARTY HAS TO BE AUTHORIZED BY PRODACONN			