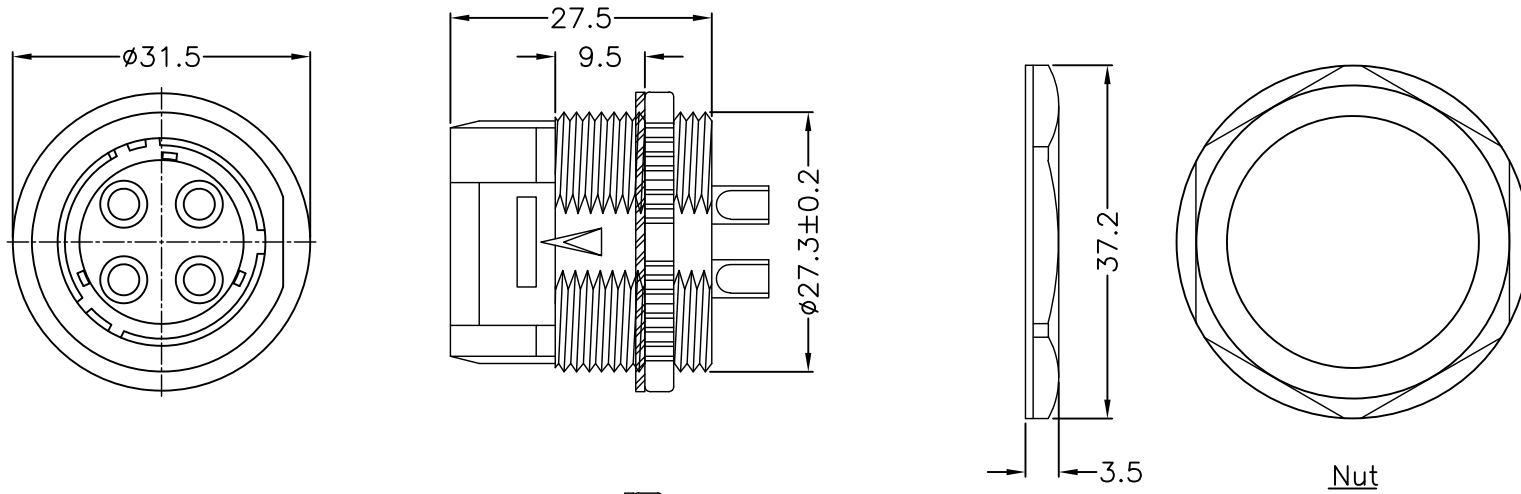


REV.	ECN NO.	DATE	SIGN	DESCRIPTION
A	Initial Release	2024/11/01	Ann	New Item



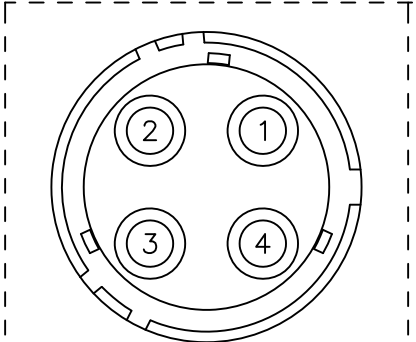
Nut

Note:

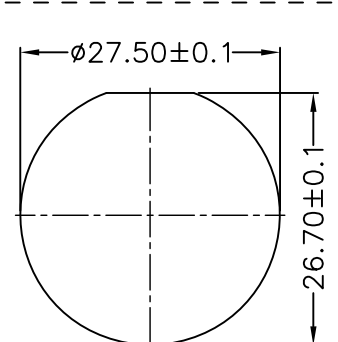
- * Waterproof Rate: IP67
- * Housing: Nylon+GF,Black
- * Pin: Brass,Gold Plated
- * Gasket: EPDM,Black
- * Nut: Nylon+GF,Black

Electrical Specification:

- * Rated current: 40A
- * Rated Voltage: 500V



Pin Assignments
Front View



Panel Cut-Out

		All dimension in mm	
		TOLERANCE UNLESS OTHERWISE SPECIFIED .X ±0.25 .XX ±0.1	REV. A SCALE Free
DRAWN BY Ann	APPROVED BY Roy	DATE(Y/M/D) 2024/11/01	PAGE 1/1 SIZE A4
PART NO: PLD04-MG0F-LS0-00		TITLE: PUSH LOCK CIRCULAR D SIZE,FRONT MOUNT	
CUSTOMER NO:		THIS DOCUMENT IS CONFIDENTIAL AND A PROPERTY OF PRODACONN. DISCLOSURE TO THIRD PARTY HAS TO BE AUTHORIZED BY PRODACONN	