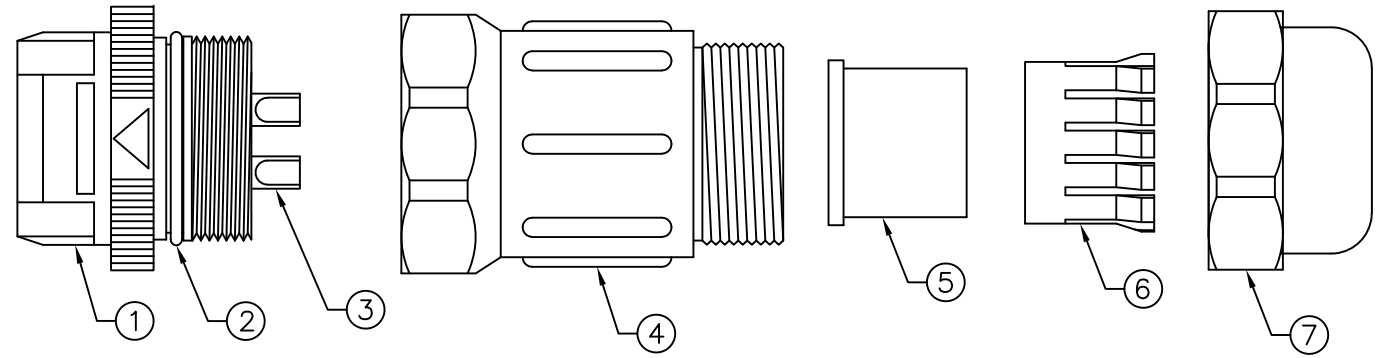
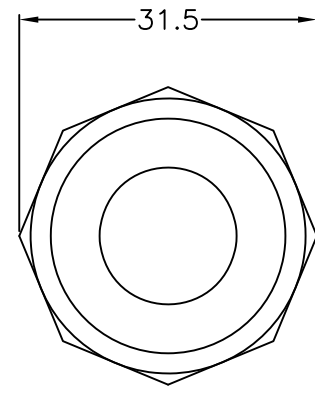
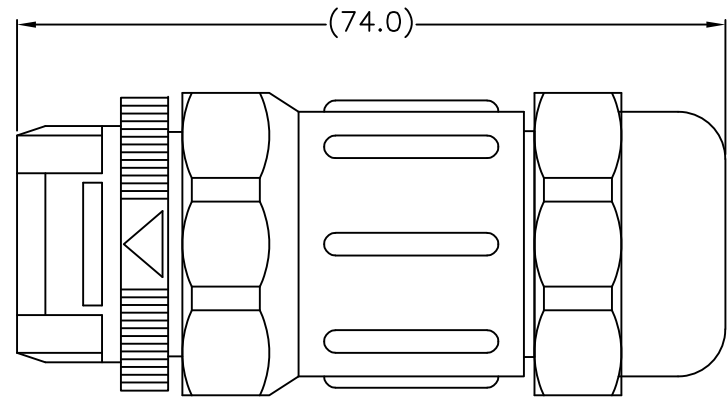
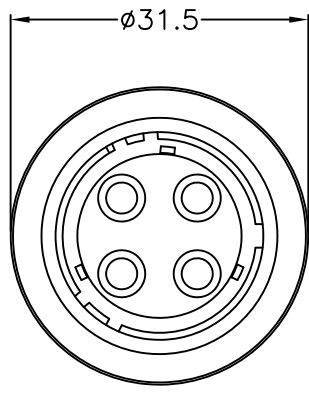


5	REV.	ECN NO.	DATE	SIGN	DESCRIPTION
	A	Initial Release	2024/11/01	Ann	New Item



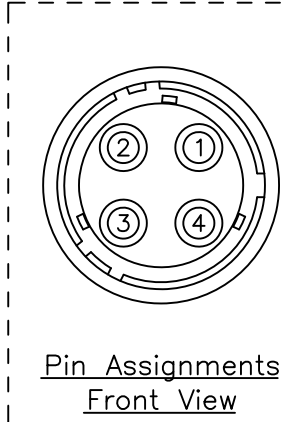
- Note:
- ① * Connector: Nylon+GF,Black
 - ② * O-Ring: EPDM,Black
 - ③ * Pin: Brass,Gold Plated
 - ④ * Housing: Nylon+GF,Black
 - ⑤ * Seal: EPDM,Black
 - ⑥ * Wire Clip: Nylon
 - ⑦ * Sealing Nut: Nylon+GF,Black

Electrical Specification:

- * Rated current: 40A
- * Rated Voltage: 500V

Recommendation:

- * Waterproof Rate: IP67
- * For Cable OD: $\phi 5.0 \sim \phi 15.0$



		All dimension in mm	
		TOLERANCE UNLESS OTHERWISE SPECIFIED ± 0.5	REV. A SCALE Free
DRAWN BY Ann	APPROVED BY Roy	DATE(Y/M/D) 2024/11/01	PAGE 1/1 SIZE A4
PART NO: PLD04-MG0A-LS0-00		TITLE: PUSH LOCK CIRCULAR D SIZE	
CUSTOMER NO:		THIS DOCUMENT IS CONFIDENTIAL AND A PROPERTY OF PRODACONN. DISCLOSURE TO THIRD PARTY HAS TO BE AUTHORIZED BY PRODACONN	