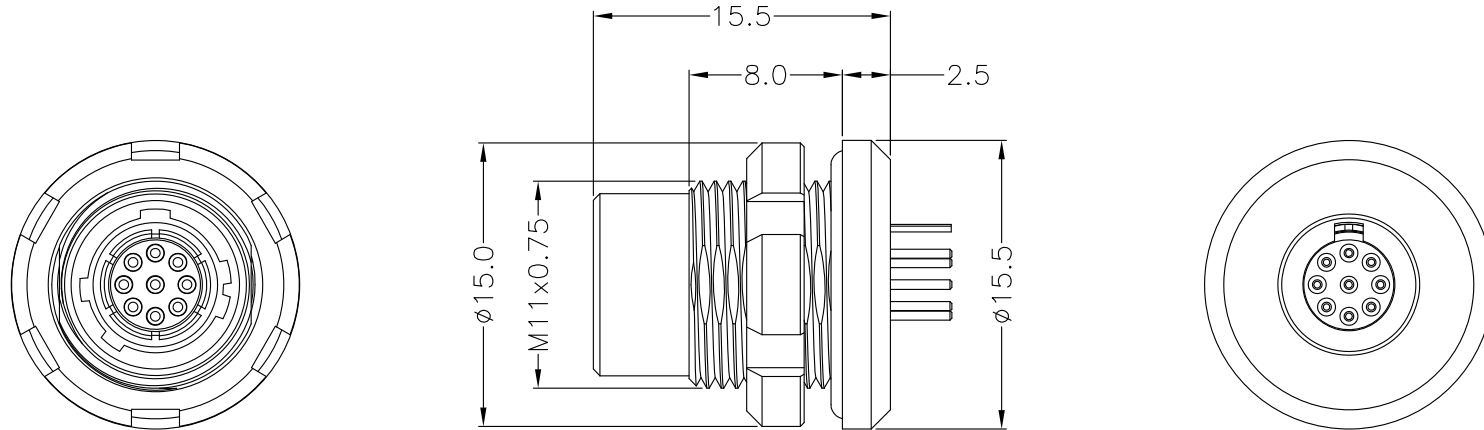


REV.	ECN NO.	DATE	SIGN	DESCRIPTION
A	Initial Release	2025/09/24	Ann	New Item



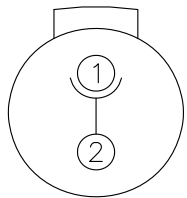
Part No.:
FGK0CAH-PXXFS-001

- 02: 2Pin
- 03: 3Pin
- 04: 4Pin
- 05: 5Pin
- 07: 7Pin
- 09: 9Pin
- 10: 10Pin

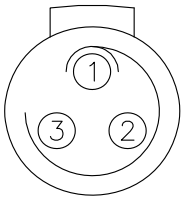
Note:

- * IP Grade: IP68(1.5M/24Hrs)
- * Insulation Material: PPS
- * Metal Shell Material: Aluminum
- * Surface Plated: Black Chrome

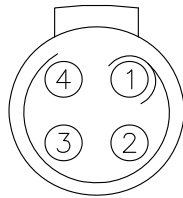
		All dimension in mm	
		TOLERANCE UNLESS OTHERWISE SPECIFIED .X ±0.25 .XX ±0.1 ANGLES ±1°	REV. A SCALE Free
DRAWN BY Ann	APPROVED BY Roy	DATE(Y/M/D) 2025/09/24	PAGE 1/2 SIZE A4
PART NO.: FGK0CAH-PXXFS-001		TITLE: PUSH PULL CONNECTOR	
CUSTOMER NO.:		THIS DOCUMENT IS CONFIDENTIAL AND A PROPERTY OF PRODACONN. DISCLOSURE TO THIRD PARTY HAS TO BE AUTHORIZED BY PRODACONN	



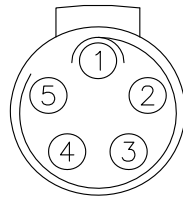
2Pin



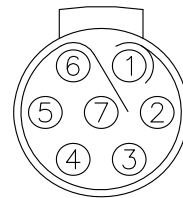
3Pin



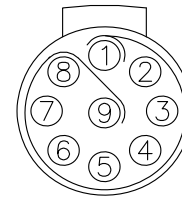
4Pin



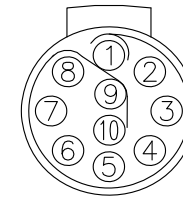
5Pin



7Pin

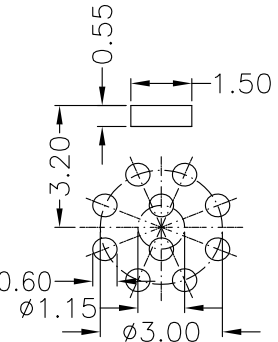
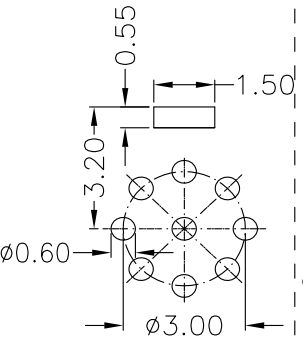
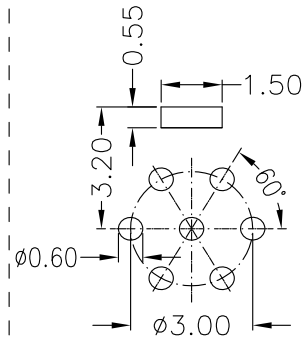
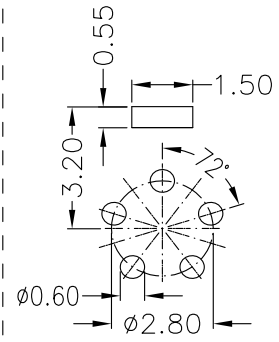
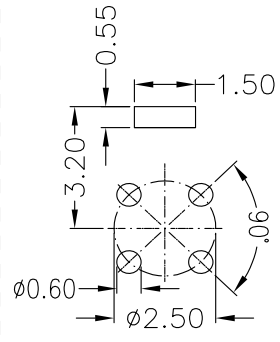
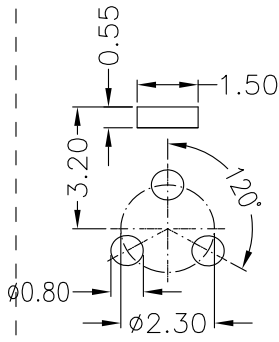
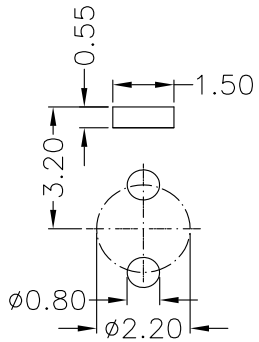


9Pin

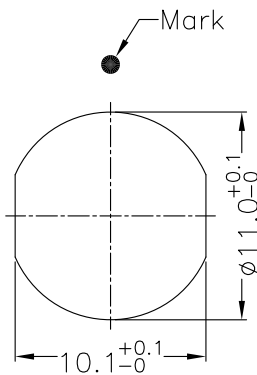


10Pin

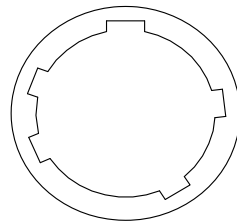
Pin Assignments(Connector Solder Cup View)



PCB Layout



Panel Cutout



N (Green)
Key Point



All dimension in mm

TOLERANCE UNLESS OTHERWISE SPECIFIED
.X ±0.25
.XX ±0.1
ANGLES ±1°

REV. A

SCALE Free

DRAWN BY Ann

APPROVED BY Roy

DATE(Y/M/D) 2025/09/24

PAGE 2/2
SIZE A4

PART NO: FGKOCAN-PXXFS-001

TITLE PUSH PULL CONNECTOR

CUSTOMER NO: