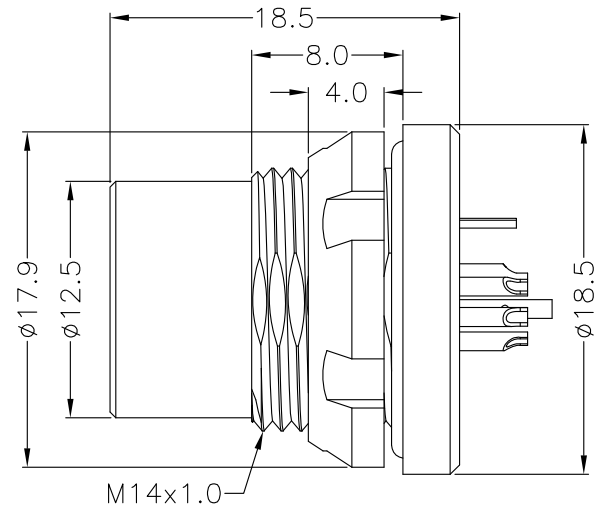
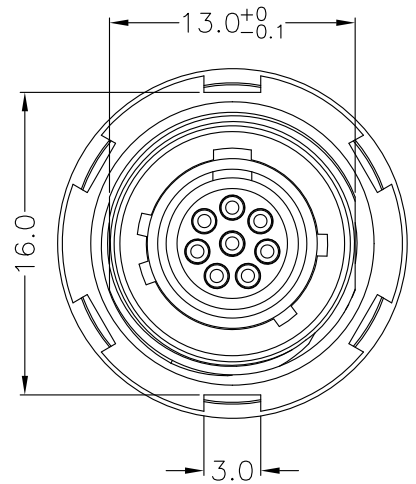
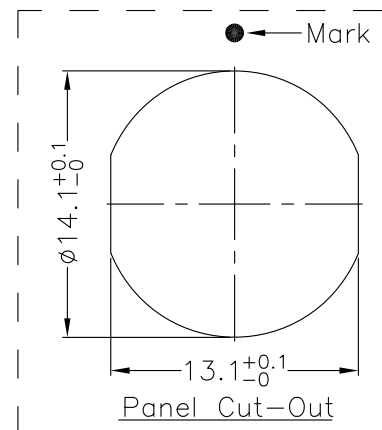


5	6	7	8
REV. A	ECN NO. Initial Release	DATE 2025/10/13	SIGN Ann
			DESCRIPTION New Item



Part No.:
 FGK1CXL-PXXFS-001

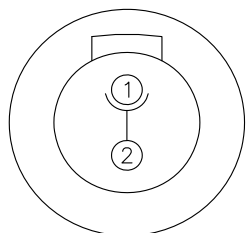
Pin Configuration
 Key Point



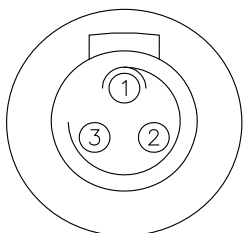
- Note:
- * IP Grade: IP68(1.5M/24Hrs)
 - * Insulation Material: PPS
 - * Metal Shell Material: Aluminum
 - * Surface Plated: Black Chrome

		All dimension in mm	
		TOLERANCE UNLESS OTHERWISE SPECIFIED ± 0.5	REV. A SCALE Free
DRAWN BY Ann	APPROVED BY Roy	DATE(Y/M/D) 2025/10/13	PAGE 1/2 SIZE A4
PART NO.: FGK1CXL-PXXFS-001		TITLE: FGK PANEL MOUNT RECEPTACLE	
CUSTOMER NO.:			
THIS DOCUMENT IS CONFIDENTIAL AND A PROPERTY OF PRODACONN. DISCLOSURE TO THIRD PARTY HAS TO BE AUTHORIZED BY PRODACONN			

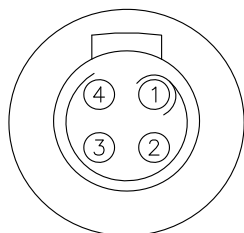
Pin Assignments(Connector Solder Cup View)



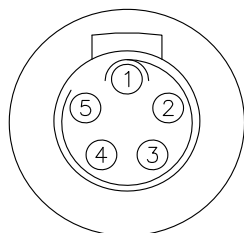
2Pin



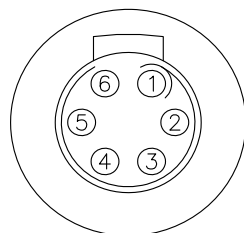
3Pin



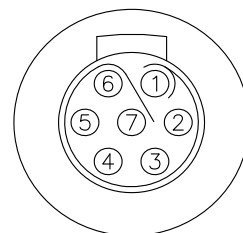
4Pin



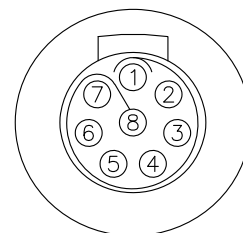
5Pin



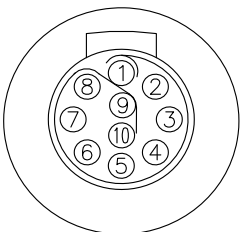
6Pin



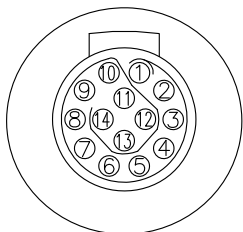
7Pin



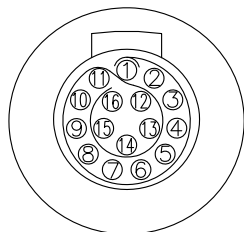
8Pin



10Pin

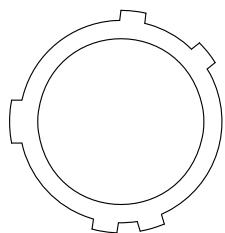


14Pin

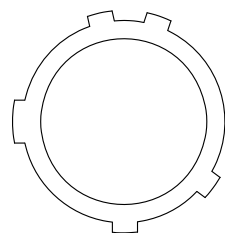


16Pin

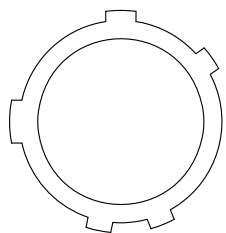
Key Point



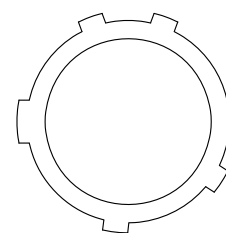
1(Light Brown)



2(Red)



3(Blue)



4(Green)

		All dimension in mm		
		TOLERANCE UNLESS OTHERWISE SPECIFIED ± 0.5	REV. A SCALE Free	
DRAWN BY Ann	APPROVED BY Roy	DATE(Y/M/D) 2025/10/13	PAGE 2/2	SIZE A4
PART NO: FGK1CXL-PXXFS-001		TITLE FGK PANEL MOUNT RECEPTACLE		
CUSTOMER NO:				
THIS DOCUMENT IS CONFIDENTIAL AND A PROPERTY OF PRODACONN. DISCLOSURE TO THIRD PARTY HAS TO BE AUTHORIZED BY PRODACONN				