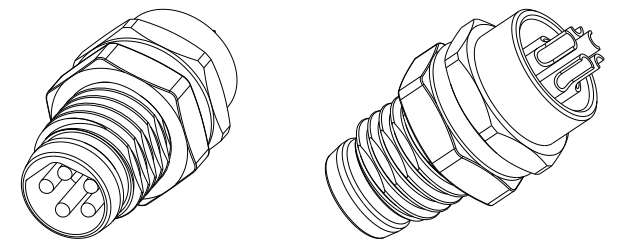
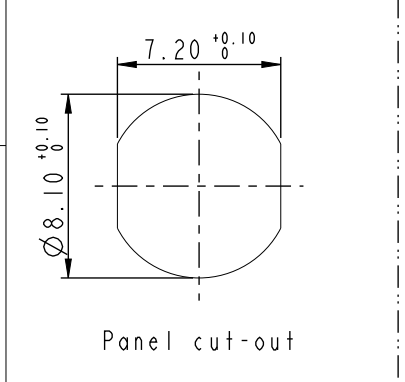
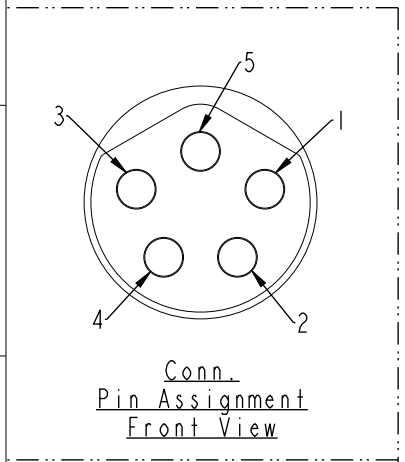
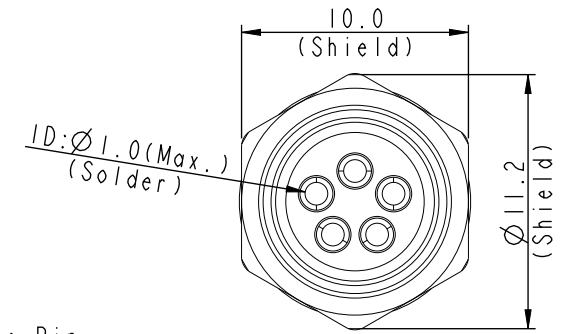
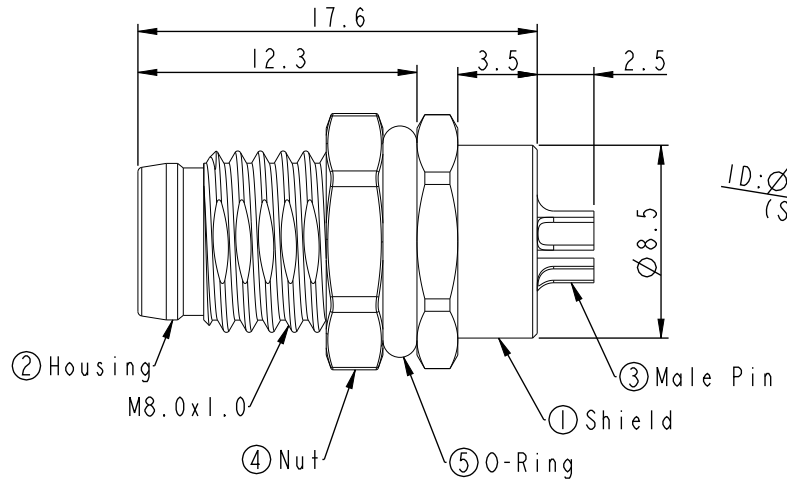
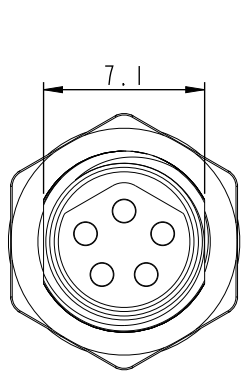


REV.	ECN NO.	DATE	SIGN	DESCRIPTION
01	Initial Release	2023/11/06	Luke	NEW ITEM.



- Notes:
 * Waterproof Rate: IP67
 Material:
 ① Shield: Copper Alloy, ,Niclel Plated.
 ② Housing: Nylon+GF, Black.
 ③ Male Pin: Copper Alloy, Gold Plated.
 ④ Nut: Nylon+GF, Black.
 ⑤ O-Ring: Silicon, Gray.

Electrical Characteristics:
 * Current rating: 3A
 * Voltage rating: 30V a.c. / Vd.c.

Recommendation:
 * For Panel Thickness Max 3.0mm.
 * Nut Torque: 4-6 Kgf.cm.

		All dimension in mm		
		TOLERANCE UNLESS OTHERWISE SPECIFIED ± 0.5	REV. 01 SCALE Free	
DRAWN BY Luke	APPROVED BY Roy	DATE(Y/M/D) 2023/11/06	PAGE 1 OF 1	SIZE A4
PART NO: M8B05-P08F-LS0-00		TITLE M8 B-CODE 5PIN MALE SOLDER, FRONT MOUNT, PANEL CONNECTOR		
CUSTOMER NO:		THIS DOCUMENT IS CONFIDENTIAL AND A PROPERTY OF TiMyn. DISCLOSURE TO THIRD PARTY HAS TO BE AUTHORIZED BY PRODACONN.		