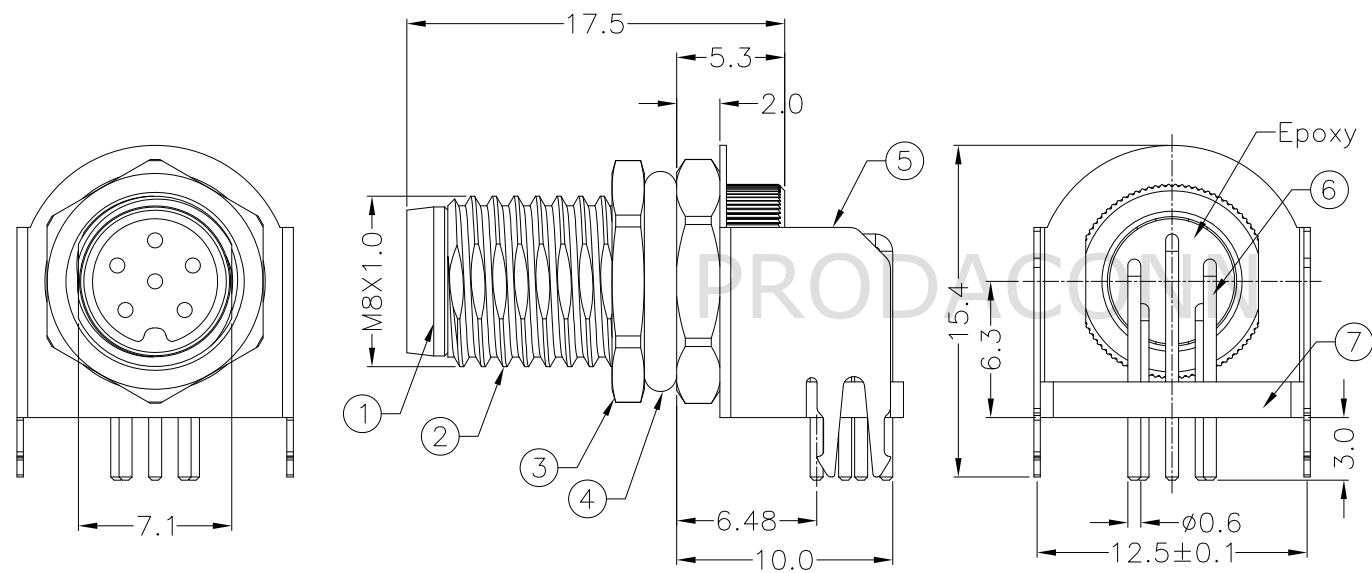


REV.	ECN NO.	DATE	SIGN	DESCRIPTION
A	Initial Release	2023/03/31	Ann	New Item

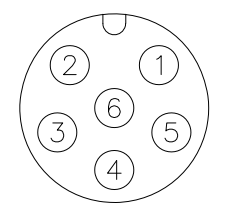


Note:

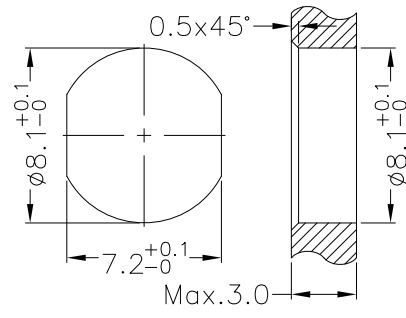
- ① * Housing: Nylon,Black
- ② * Shell1: Copper Alloy,Nickel Plated
- ③ * Nut: Copper Alloy,Nickel Plated
- ④ * O-Ring: Rubber,Black
- ⑤ * Shell2: Copper Alloy,Nickel Plated
- ⑥ * Male Pin: Copper Alloy,Gold Plated
- ⑦ * Locking Plate: LCP

Recommendation:

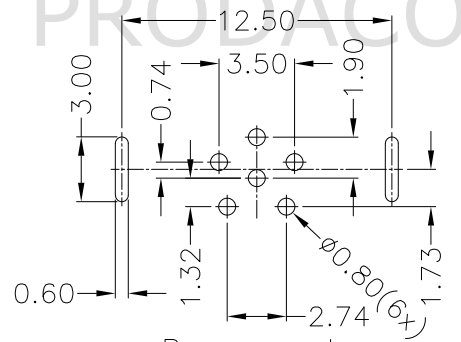
- * Waterproof Rate: IP67
- * Rated Current: 1.5A
- * Rated Voltage: 30V AC/DC
- * Temperature Rating: -40°C~80°C




Pin Assignments
Front View



Recommend
Panel Cut-Out



Recommend
PCB Layout



All dimension in mm

TOLERANCE UNLESS OTHERWISE SPECIFIED	REV.
.X ±0.25	A
.XX ±0.1	SCALE
.XXX ±0.05	1:1
ANGLES ±1°	

DRAWN BY Ann	APPROVED BY Roy	DATE(Y/M/D) 2023/03/31	PAGE 1/1	SIZE A4
PART NO: M8A06-P08F-RDS-J0		TITLE M8 A-CODE MALE DIP TYPE		
CUSTOMER NO:				

THIS DOCUMENT IS CONFIDENTIAL AND A PROPERTY OF PRODACONN. DISCLOSURE TO THIRD PARTY HAS TO BE AUTHORIZED BY PRODACONN.