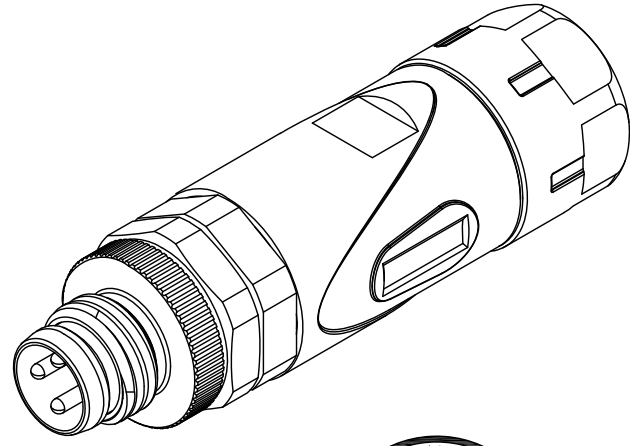
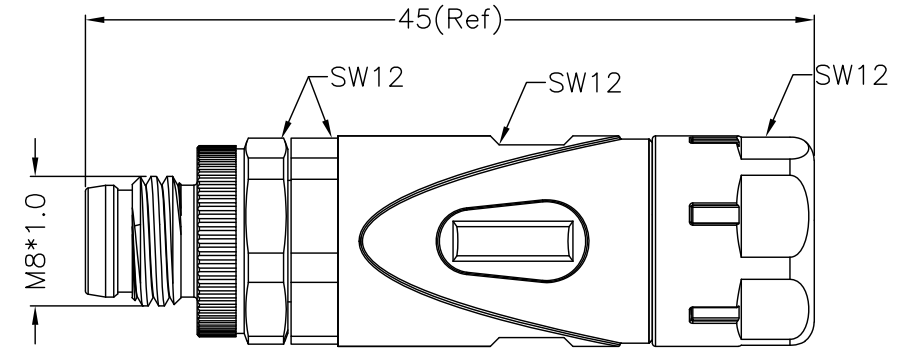
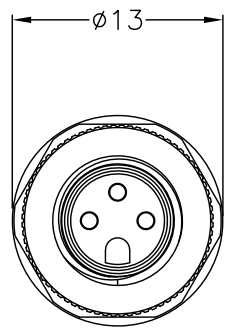
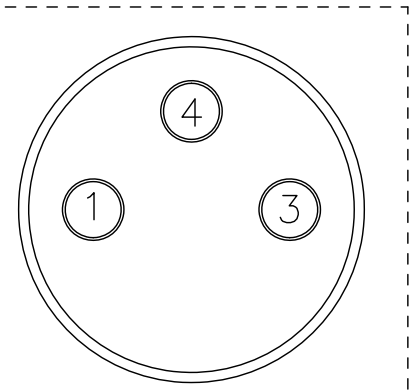


REV.	ECN NO.	DATE	SIGN	DESCRIPTION
01	Initial Release	2021/04/08	Ann	New Item



- Note:
- * IP Grade: IP67(In Mated Condition)
 - * Rated current: 4A
 - * Rated voltage: 60V
 - * Operation Temperature: -25°C~+85°C
 - * Cable Diameter: $\phi 3.5 \sim \phi 5 \text{mm}$
 - * Conductor Cross Section(AWG): 20~26AWG



Pin Assignments
Front View

4	O-Ring	NBR	1
3	Coupling Nut	Copper Alloy,Nickel Plated	1
2	Contact	Copper Alloy,Silver Plated	3
1	Housing	Nylon,Black	1
NO.	ITEM	SPEC	QTY

BOM LIST

TOLERANCE UNLESS OTHERWISE SPECIFIED

±0.5

All dimension in mm

REV. 01

SCALE 1:1

DRAWN BY Ann	APPROVED BY Roy	DATE(Y/M/D) 2021/04/08	PAGE 1/1	SIZE A4
-----------------	--------------------	---------------------------	-------------	------------

PART NO: M8A03-PASH-LT0-K0	TITLE M8 ASSEMBLY,SCREW-IN TYPE
CUSTOMER NO:	

THIS DOCUMENT IS CONFIDENTIAL AND A PROPERTY OF PRODACONN. DISCLOSURE TO THIRD PARTY HAS TO BE AUTHORIZED BY PRODACONN