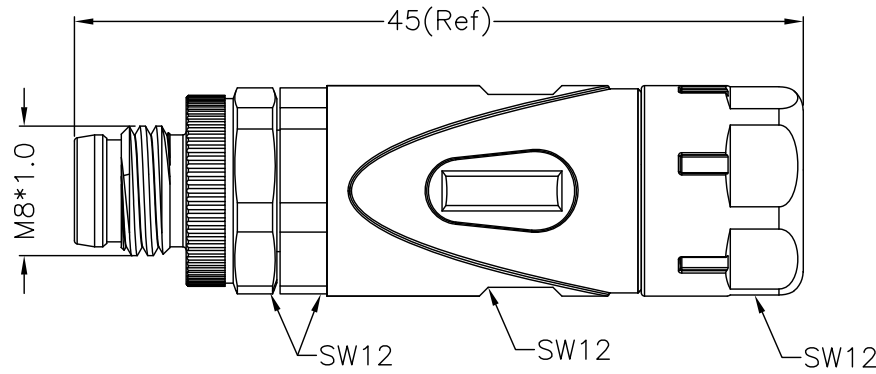
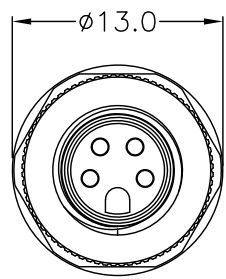
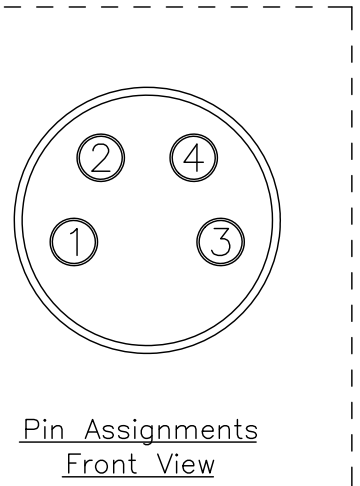
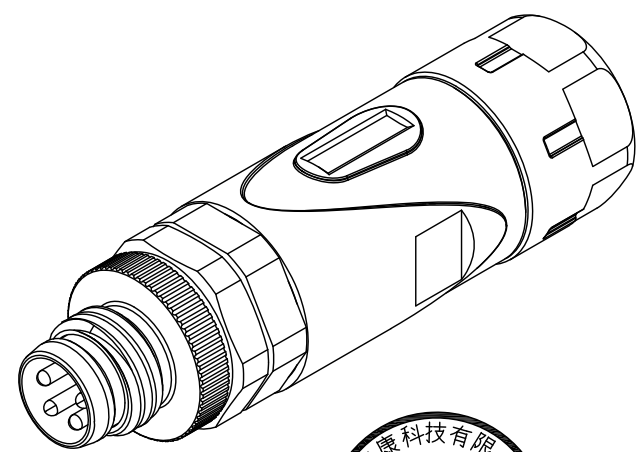


REV.	ECN NO.	DATE	SIGN	DESCRIPTION
01	Initial Release	2021/04/08	Ann	New Item




- Note:
- * IP Grade: IP67(In Mated Condition)
 - * Rated current: 4A
 - * Rated voltage: 60V
 - * Operation Temperature: -25°C~+85°C
 - * Cable Diameter: $\phi 3.5 \sim \phi 5 \text{mm}$
 - * Conductor Cross Section(AWG): 20~26AWG



NO.	ITEM	SPEC	QTY
4	O-Ring	NBR	1
3	Coupling Nut	Copper Alloy,Nickel Plated	1
2	Contact	Copper Alloy,Silver Plated	4
1	Housing	Nylon,Black	1

BOM LIST



⊕ All dimension in mm

TOLERANCE UNLESS OTHERWISE SPECIFIED

±0.5

REV.	01
SCALE	1:1

DRAWN BY	Ann	APPROVED BY	Roy	DATE(Y/M/D)	2021/04/08	PAGE	1/1	SIZE	A4
----------	-----	-------------	-----	-------------	------------	------	-----	------	----

PART NO:	M8A04-PASH-LT0-K0	TITLE	M8 ASSEMBLY,SCREW-IN TYPE
CUSTOMER NO:			

THIS DOCUMENT IS CONFIDENTIAL AND A PROPERTY OF PRODACONN. DISCLOSURE TO THIRD PARTY HAS TO BE AUTHORIZED BY PRODACONN