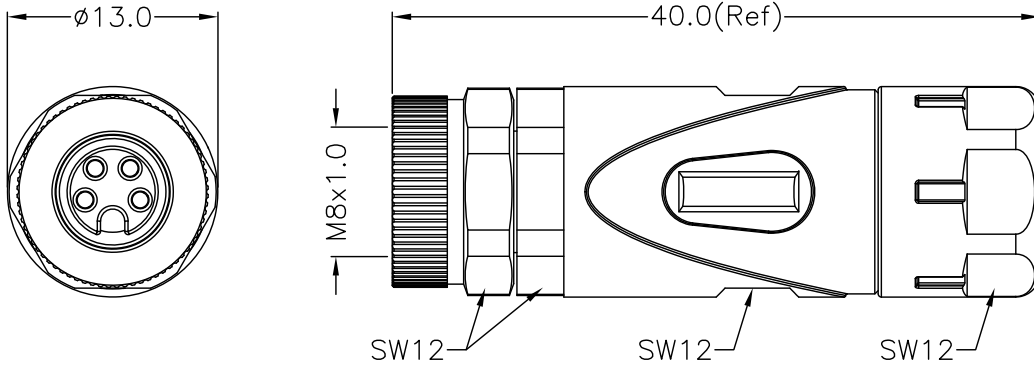
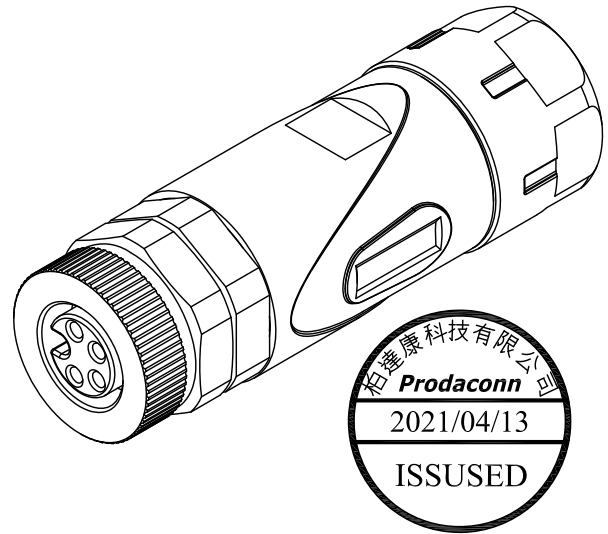


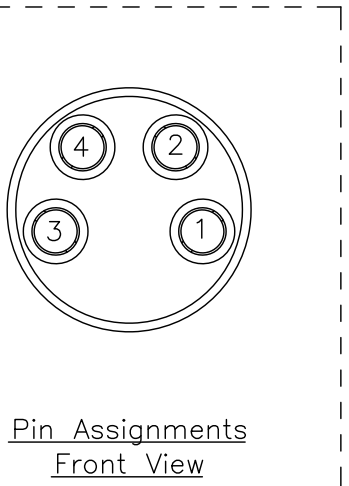
REV.	ECN NO.	DATE	SIGN	DESCRIPTION
01	Initial Release	2021/04/13	Ann	New Item




- Note:
- * IP Grade: IP67(In Mated Condition)
 - * Rated current: 4A
 - * Rated voltage: 60V
 - * Operation Temperature: -25°C~+85°C
 - * Cable Diameter: $\phi 3.5 \sim \phi 5 \text{mm}$
 - * Conductor Cross Section(AWG): 20~26AWG




4	O-Ring	NBR	1
3	Coupling Nut	Zinc Alloy,Nickel Plated	1
2	Contact	Copper Alloy,Silver Plated	4
1	Housing	Nylon,Black	1
NO.	ITEM	SPEC	QTY



BOM LIST



⊕  All dimension in mm

TOLERANCE UNLESS OTHERWISE SPECIFIED

±0.5

REV. 01	SCALE 1:1
DRAWN BY Ann	APPROVED BY Roy
DATE(Y/M/D) 2021/04/13	PAGE 1/1 SIZE A4
PART NO: M8A04-SASH-LTO-KO	TITLE: M8 ASSEMBLY,SCREW-IN TYPE
CUSTOMER NO:	

THIS DOCUMENT IS CONFIDENTIAL AND A PROPERTY OF PRODACONN. DISCLOSURE TO THIRD PARTY HAS TO BE AUTHORIZED BY PRODACONN