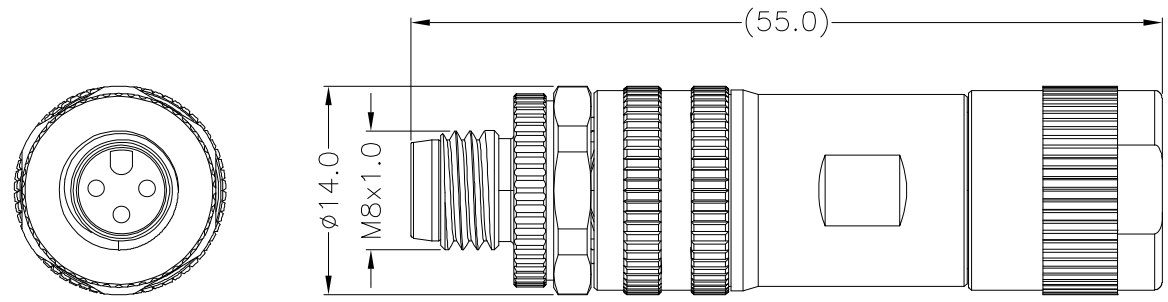


REV.	ECN NO.	DATE	SIGN	DESCRIPTION
A	Initial Release	2025/04/25	Ann	New Item

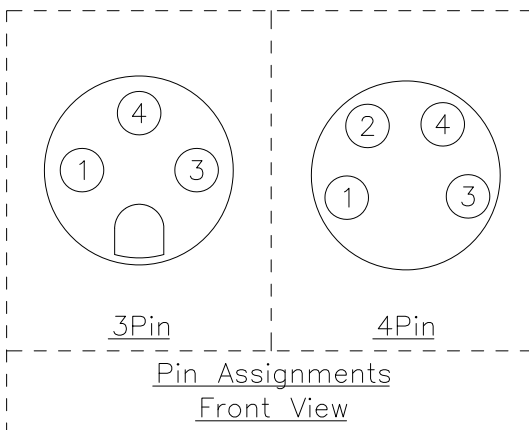


Part No.:  
M8AXX-PASN-LT0-K0  
03: 3Pin  
04: 4Pin



Note:  
\* Housing: Nylon,Black  
\* Male Pin: Copper Alloy,Gold Plated  
\* Nut: Zinc Alloy,Nickel Plated  
\* Shielding: Copper Alloy,Nickel Plated  
\* Operation Temperature: -25°C~+85°C  
\* Cable Diameter:  $\phi 3.5 \sim \phi 5.5$ mm  
\* Conductor Cross Section(AWG): 20~26AWG

Electrical Specification:  
\* IP Grade: IP67(In Mated Condition)  
\* Rated current: 4A  
\* Rated voltage: 60V



		All dimension in mm	
		TOLERANCE UNLESS OTHERWISE SPECIFIED ±0.5	REV. A SCALE Free
DRAWN BY Ann	APPROVED BY Roy	DATE(Y/M/D) 2025/04/25	PAGE 1/1 SIZE A4
PART NO.: M8AXX-PASN-LT0-K0		TITLE M8 ASSEMBLY,SCREW-IN TYPE	
CUSTOMER NO.:		THIS DOCUMENT IS CONFIDENTIAL AND A PROPERTY OF PRODACONN. DISCLOSURE TO THIRD PARTY HAS TO BE AUTHORIZED BY PRODACONN	