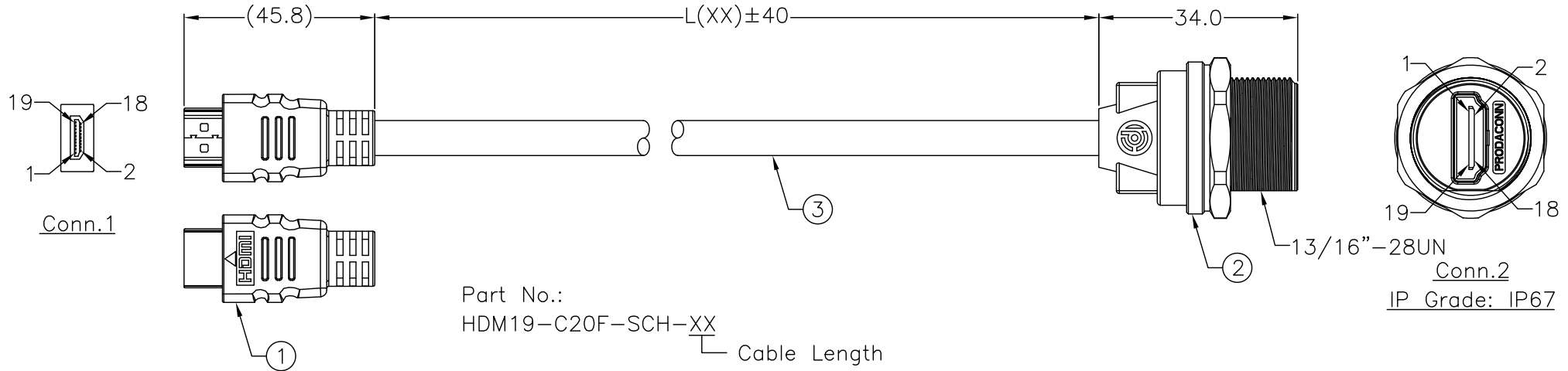


REV.	ECN NO.	DATE	SIGN	DESCRIPTION
A	Initial Release	2024/06/28	Ann	Change Rev.01 To Rev.A



Part No.:
HDM19-C20F-SCH-XX

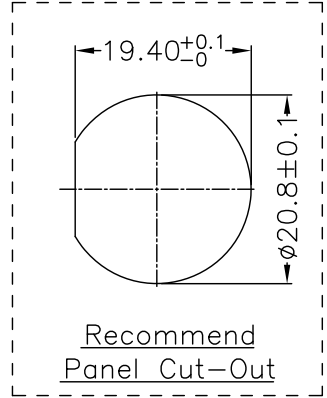
Cable Length
01: 10CM
02: 20CM
03: 30CM
04: 40CM
05: 50CM

Note:

①* Conn.1: HDMI Plug,19Pin
②* Conn.2: HDMI Jack,19Pin
Shielding: Zinc Alloy,Nickel Plated
Gasket: Silicone,Grey Black
Screw Nut: Copper Alloy,Nickel Plated

③* Cable: HDMI1.4V (1/0.254BCxFMPEø0.7x1P+D1/0.254BC+A+M)5C+1/0.254B+HDPEø0.6x4C+A+D,1/0.254BC+B16/4/0.12AM+1/0.254B+HDPEø0.6x4C+A+D,1/0.254BC+B16/4/0.12AM PVC Jacket,OD6.0,Black

19	Yellow	黃	19	Twist
17	Drain	地線	17	
14	White	白	14	Twist
12	Brown	棕	12	
8	Drain	地線	8	Twist
10	White	白	10	
9	Blue	藍	9	Twist
11	Drain	地線	11	
7	White	白	7	Twist
6	Green	綠	6	
2	Drain	地線	2	Twist
4	White	白	4	
3	Red	紅	3	Twist
5	Drain	地線	5	
1	White	白	1	
Conn.1	Wire Color		Conn.2	
Pin Out				



Shield	Braid	編織	Shield
18	Red	紅	18
16	Orange	橘	16
15	Yellow	黃	15
13	White	白	13
Conn.1	Wire Color		Conn.2



⌀ All dimension in mm

TOLERANCE UNLESS OTHERWISE SPECIFIED

±0.5

REV.	A
SCALE	Free

DRAWN BY	Ann	APPROVED BY	Roy	DATE(Y/M/D)	2024/06/28	PAGE	1/1	SIZE	A4
PART NO.:	HDM19-C20F-SCH-XX				TITLE				
CUSTOMER NO.:					WATERPROOF HDMI JACK,HDMI PLUG				

THIS DOCUMENT IS CONFIDENTIAL AND A PROPERTY OF PRODACONN. DISCLOSURE TO THIRD PARTY HAS TO BE AUTHORIZED BY PRODACONN