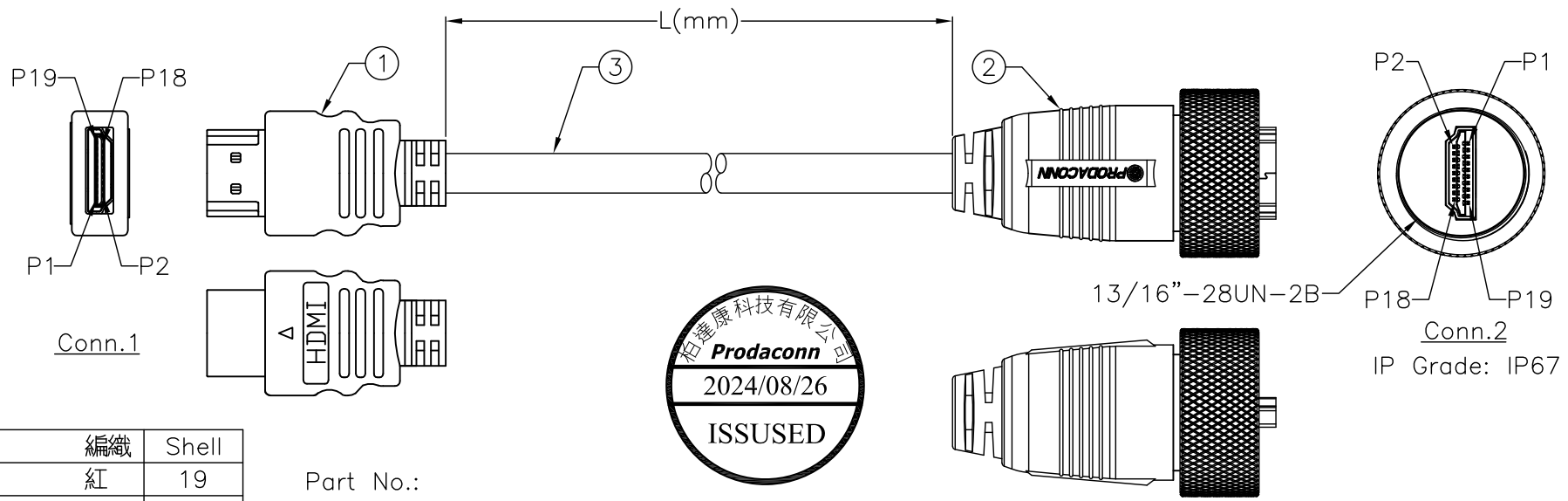


APPROVED

SIGNATURE

DATE

REV. A	ECN NO. Initial Release	DATE 2024/08/26	SIGN Delu	DESCRIPTION New Item



Shell	Braid	編織	Shell
19	Red	紅	19
18	Orange	橘	18
16	White	白	16
14	Yellow	黃	14
17	White	白	17
15	Drain	地線	15
13	Blue	藍	13
12	White	白	12
11	Drain	地線	11
10	Green	綠	10
9	White	白	9
8	Drain	地線	8
7	Orange	橘	7
6	White	白	6
5	Drain	地線	5
4	Red	紅	4
3	White	白	3
2	Drain	地線	2
1	Brown	棕	1
Conn.1	Wire Color		Conn.1
Pin Out			

Part No.:  
HDM19-PPSA-MXX

Cable Length  
01: 01Meter  
02: 02Meters  
:  
99: 99Meters(Max.)

\* Cable Length Tolerance:  
1M~5M: ±50mm  
5.01M~10M: ±80mm  
10.01M~20M: ±100mm  
20.01M~30M: ±150mm  
30.01M~40M: ±200mm  
40.01M~50M: ±250mm

Note:

- ①\* Conn.1: HDMI A TYPE
- ②\* Conn.2: Waterproof HDMI A Type  
Scerw Nut: Brass,Nickel Plated
- ③\* Cable: UL20276 (30#\*1P+D+AL/MY)\*5C  
+30#\*4C+A+B,OD=6.0mm,Black

		All dimension in mm	
		TOLERANCE UNLESS OTHERWISE SPECIFIED ±0.5	REV. A SCALE 1:1
DRAWN BY Delu	APPROVED BY Roy	DATE(Y/M/D) 2024/08/26	PAGE 1/1
PART NO.: HDM19-PPSA-MXX		TITLE HDMI WATERPROOF, CABLE, HDMI PLUG	
CUSTOMER NO.:			
THIS DOCUMENT IS CONFIDENTIAL AND A PROPERTY OF PRODACONN DISCLOSURE TO THIRD PARTY HAS TO BE AUTHORIZED BY PRODACONN			