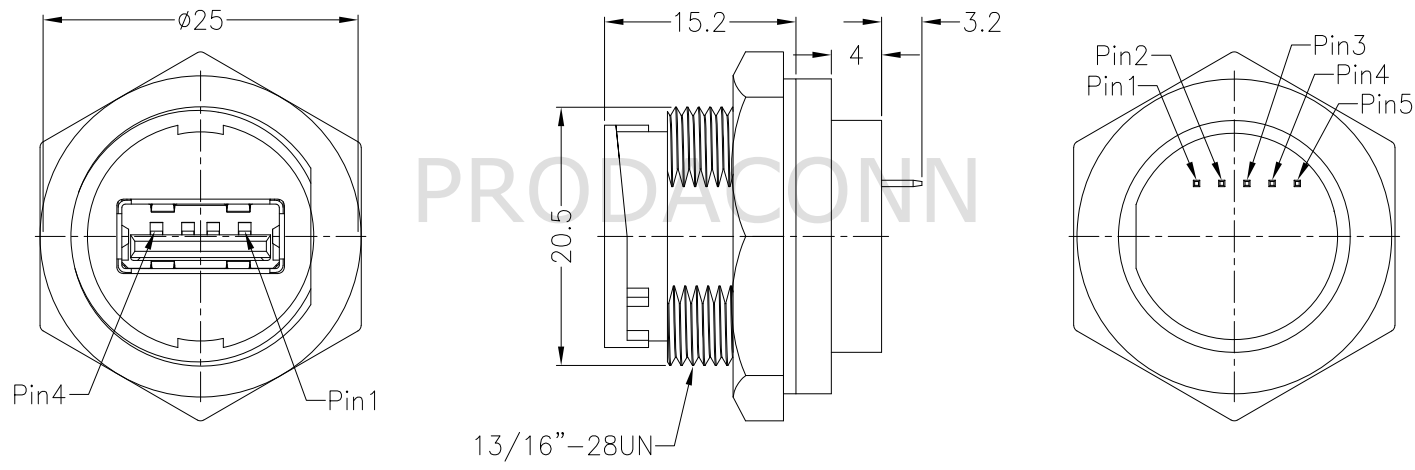
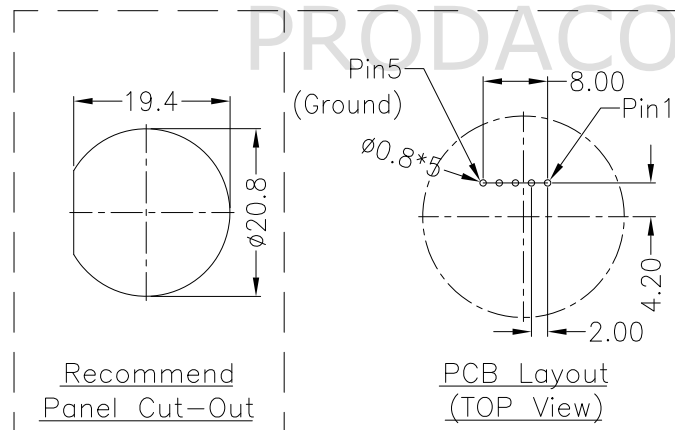


REV.	ECN NO.	DATE	SIGN	DESCRIPTION
01	Initial Release	2022/08/30	Ann	New Item



- Note:
- * Housing: PBT,Black
 - * Pin: Copper Alloy,Gold Plated
 - * Shell: Nylon,Black
 - * Ground: SUS,Nickel Plated
 - * Gasket: Silicone,Grey Black
 - * Nut: Nylon,Black

- Recommendation:
- * IP Grade: IP67
 - * Rated current: 1.5A
 - * Rated voltage: 30V



		All dimension in mm	
		TOLERANCE UNLESS OTHERWISE SPECIFIED .X ±0.25 .XX ±0.1 .XXX ±0.05 ANGLES ±1°	REV. A SCALE 1:1
DRAWN BY Ann	APPROVED BY Roy	DATE(Y/M/D) 2022/08/30	PAGE 1/1 SIZE A4
PART NO: UAP04-C20F-LLD-F0		TITLE: USB A PCB TYPE FOR PANLE	
CUSTOMER NO:		THIS DOCUMENT IS CONFIDENTIAL AND A PROPERTY OF PRODACONN. DISCLOSURE TO THIRD PARTY HAS TO BE AUTHORIZED BY PRODACONN	