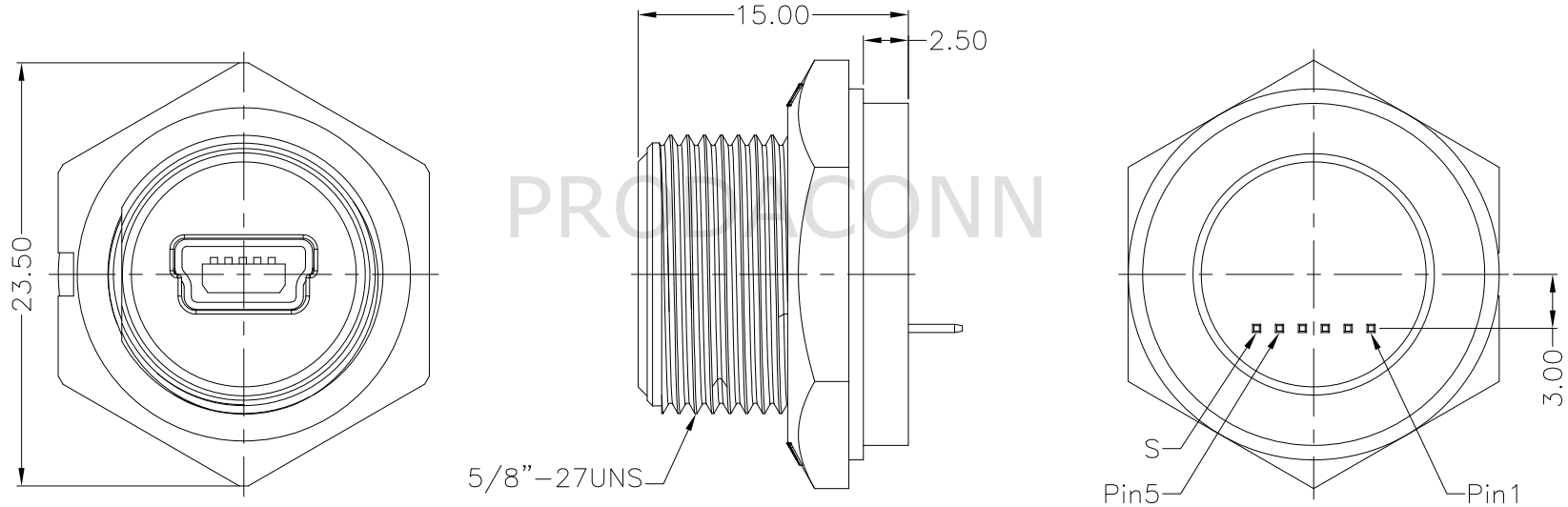


REV.	ECN NO.	DATE	SIGN	DESCRIPTION
A	Initial Release	2023/03/06	Ann	New Item

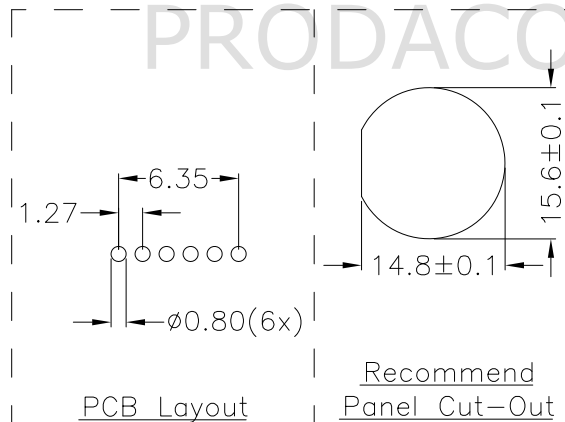


Note:

- * Housing: PBT,Black
- * Pin: Copper Alloy,Gold Plated
- * Shell: Copper Alloy,Nickel Plated
- * O-Ring: Silicone,Black
- * Nut: Nylon
- * Wafer: Pitch 1.27mm

Recommendation:

- * IP Grade: IP67
- * Rated Current: 1.5A
- * Rated Voltage: 125V AC/DC



		All dimension in mm	
		TOLERANCE UNLESS OTHERWISE SPECIFIED .X ±0.25 .XX ±0.1 .XXX ±0.05 ANGLES ±1°	REV. A SCALE 1:1
DRAWN BY Ann	APPROVED BY Roy	DATE(Y/M/D) 2023/03/06	PAGE 1/1 SIZE A4
PART NO: MUS05-B15F-SLD-F0		TITLE: MINI USB DIP TYPE	
CUSTOMER NO:		THIS DOCUMENT IS CONFIDENTIAL AND A PROPERTY OF PRODACONN. DISCLOSURE TO THIRD PARTY HAS TO BE AUTHORIZED BY PRODACONN.	