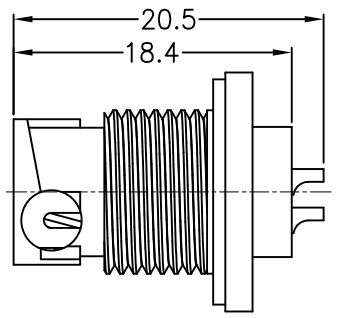
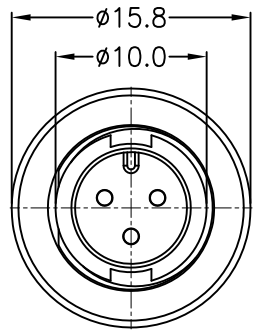
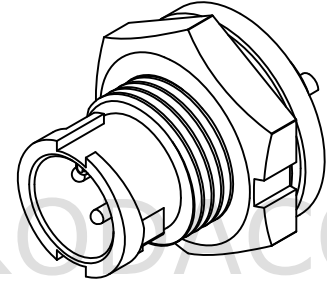
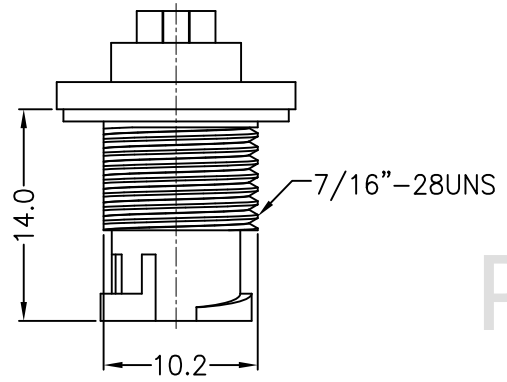


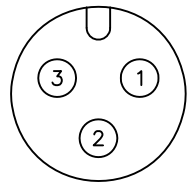
REV.	ECN NO.	DATE	SIGN	DESCRIPTION
01	Initial Release	2021/09/03	YU-FEI	New Item



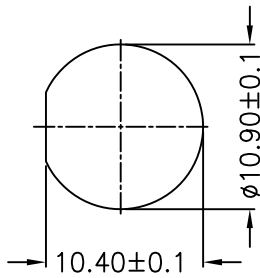
Note:
 * IP Grade: IP67
 * Rated current: 5A
 * Rated voltage: 250V

4	CIRCULAR MINI PANEL	Hex Nut: Nylon	1
3		Gasket: Rubber	1
2		Pin: Copper Alloy,Gold Plated	3
1		Housing: Nylon,Black	1
NO.	ITEM	SPEC	QTY

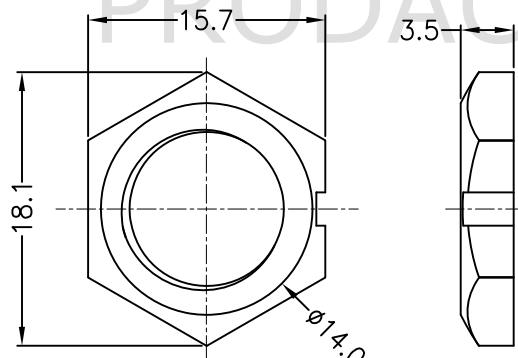
BOM LIST



Pin Assignments
Front View



Recommend
Panel Cut-Out



HEX NUT



TOLERANCE UNLESS OTHERWISE SPECIFIED	REV.	01
	SCALE	1:1
±0.5		

DRAWN BY	APPROVED BY	DATE(Y/M/D)	PAGE	SIZE
YU-FEI	Roy	2021/09/03	1/1	A4

PART NO:	TITLE
CAD03-MMPF-LS0-F0	CIRCULAR,MINI,PANEL
CUSTOMER NO:	

THIS DOCUMENT IS CONFIDENTIAL AND A PROPERTY OF PRODACONN. DISCLOSURE TO THIRD PARTY HAS TO BE AUTHORIZED BY PRODACONN.