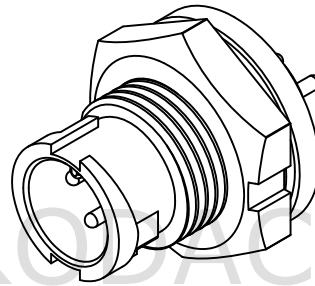
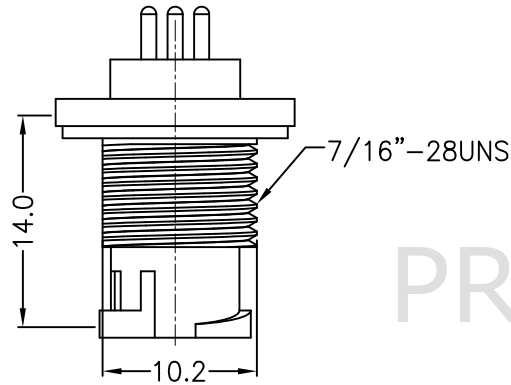


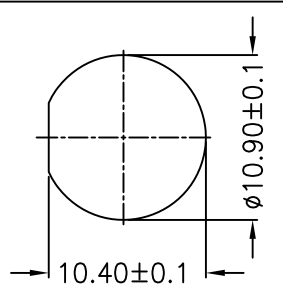
REV.	ECN NO.	DATE	SIGN	DESCRIPTION
01	Initial Release	2021/09/02	YU-FEI	New Item



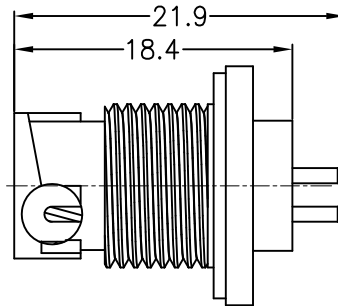
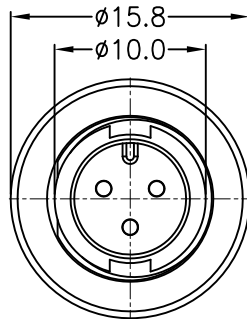
PRODACONN

Note:

- * IP Grade: IP67
- * Rated current: 5A
- * Rated voltage: 250V

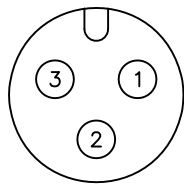


Recommend Panel Cut-Out

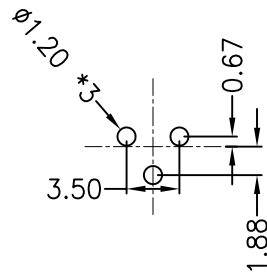


4		Nut: Nylon	1
3	CIRCULAR STANDARD PANEL	Gasket: Rubber	1
2		Pin: Copper Alloy, Gold Plated	3
1		Housing: Nylon, Black	1
NO.	ITEM	SPEC	QTY

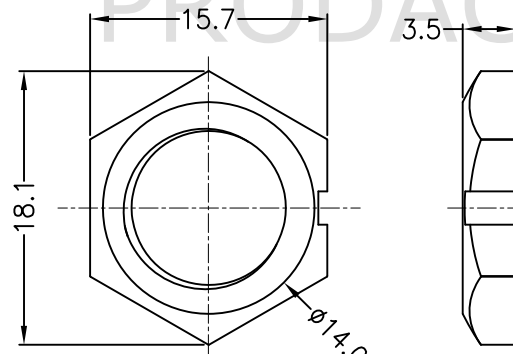
BOM LIST



Pin Assignments Front View



PCB LAYOUT



HEX NUT



All dimension in mm

TOLERANCE UNLESS OTHERWISE SPECIFIED	REV.
±0.5	01
	SCALE
	1:1

DRAWN BY	APPROVED BY	DATE(Y/M/D)	PAGE	SIZE
YU-FEI	Roy	2021/09/02	1/1	A4

PART NO:	TITLE
CAD03-MMPF-LD0-F0	CIRCULAR, MINI, PANEL
CUSTOMER NO:	

THIS DOCUMENT IS CONFIDENTIAL AND A PROPERTY OF PRODACONN. DISCLOSURE TO THIRD PARTY HAS TO BE AUTHORIZED BY PRODACONN