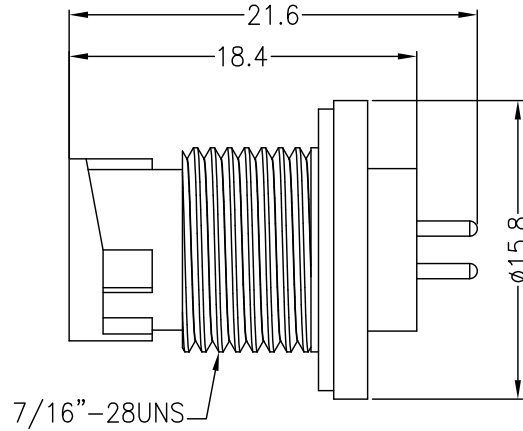
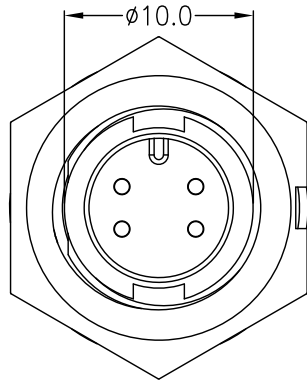
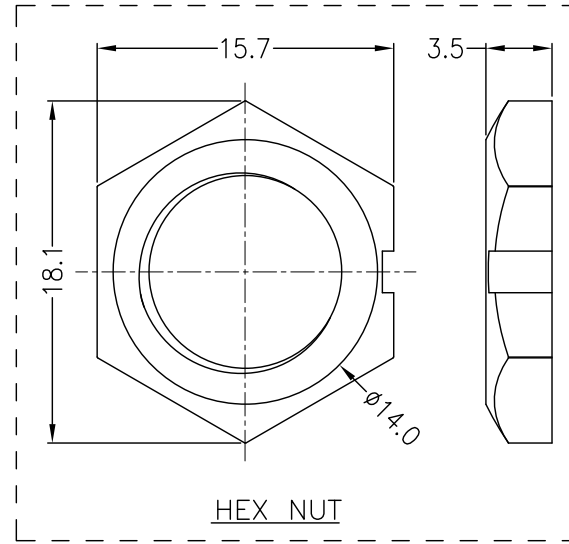
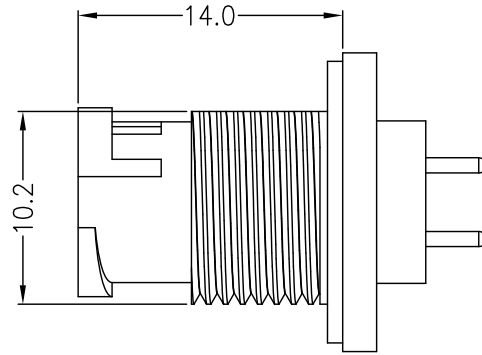
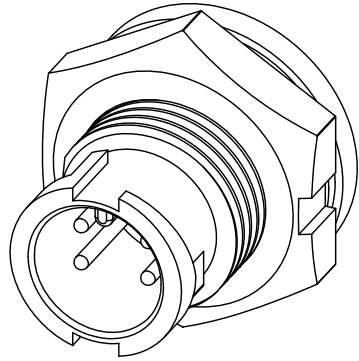


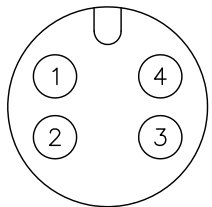
REV.	ECN NO.	DATE	SIGN	DESCRIPTION
01	Initial Release	2021/08/30	Ann	New Item



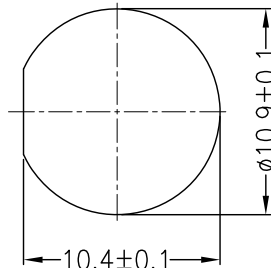
Note:
 * IP Grade: IP67
 * Rated current: 2A
 * Rated voltage: 250V

NO.	ITEM	SPEC	QTY
4	Hex Nut	Nylon,Black	1
3	Gasket	Silicone	1
2	Pin	Copper Alloy,Gold Plated	4
1	Housing	Nylon,Black	1

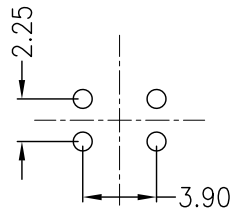
BOM LIST



Pin Assignments
Front View



Recommend
Panel Cut-Out



Recommend
PCB Layout



All dimension in mm

TOLERANCE UNLESS OTHERWISE SPECIFIED	REV. 01
± 0.5	SCALE 1:1

DRAWN BY Ann	APPROVED BY Roy	DATE(Y/M/D) 2021/08/30	PAGE 1/1	SIZE A4
--------------	-----------------	------------------------	----------	---------

PART NO: CAU04-MMPF-LD0-F0	TITLE: CIRCULAR,MINI,PANEL
CUSTOMER NO:	

THIS DOCUMENT IS CONFIDENTIAL AND A PROPERTY OF PRODACONN. DISCLOSURE TO THIRD PARTY HAS TO BE AUTHORIZED BY PRODACONN