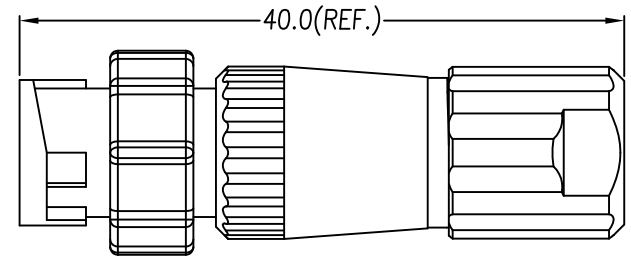
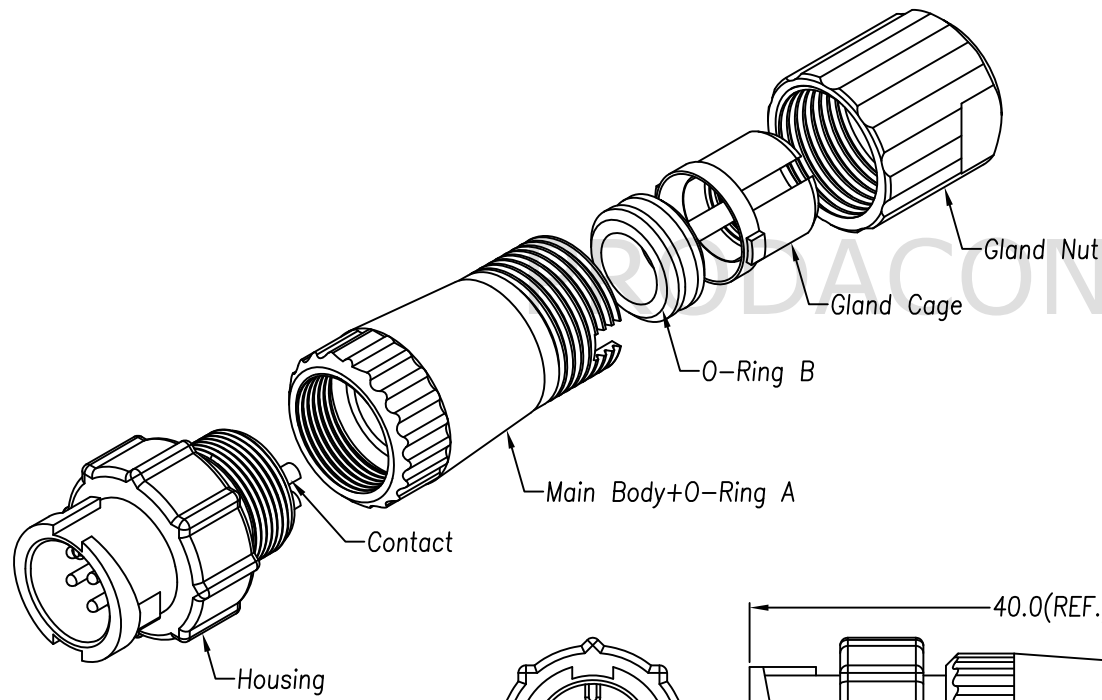


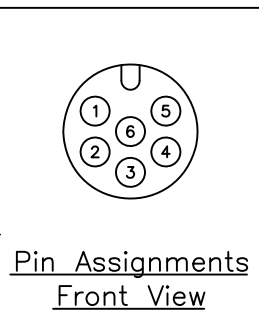
| | | | | |
|------|-----------------|------------|--------|-------------|
| REV. | ECN NO. | DATE | SIGN | DESCRIPTION |
| 01 | Initial Release | 2021/09/03 | YU-FEI | New Item |
| | | | | |
| | | | | |



Note:
 * IP Grade: IP67
 * Rated current: 2A
 * Rated voltage: 250V

PRODACONN

| | | | |
|-----|---------------------|--------------------------------------|-----|
| 7 | CIRCULAR MINI ASS'Y | Gland Nut: Nylon,Black | 1 |
| 6 | | Gland Cage: Nylon,Black | 1 |
| 5 | | O-Ring B: Rubber | 1 |
| 4 | | O-Ring A: Rubber | 1 |
| 3 | | Main Body: Nylon,Black | 1 |
| 2 | | Pin: Copper Copper Alloy,Gold Plated | 6 |
| 1 | | Housing: Nylon,Black | 1 |
| NO. | ITEM | SPEC | QTY |



| | | | | | | | | | |
|--|--------|-------------------------|-----|-------------|------------|------|-----|------|----|
| TOLERANCE UNLESS OTHERWISE SPECIFIED ±0.5 | | All dimension in mm | | | | | | | |
| | | REV. 01 SCALE 1:1 | | | | | | | |
| DRAWN BY | YU-FEI | APPROVED BY | Roy | DATE(Y/M/D) | 2021/09/03 | PAGE | 1/1 | SIZE | A4 |
| PART NO: | | CAU06-MMAP-LS0-F0 | | TITLE | | | | | |
| CUSTOMER NO: | | CIRCULAR MINI ASS'Y | | | | | | | |

BOM LIST

THIS DOCUMENT IS CONFIDENTIAL AND A PROPERTY OF PRODACONN. DISCLOSURE TO THIRD PARTY HAS TO BE AUTHORIZED BY PRODACONN