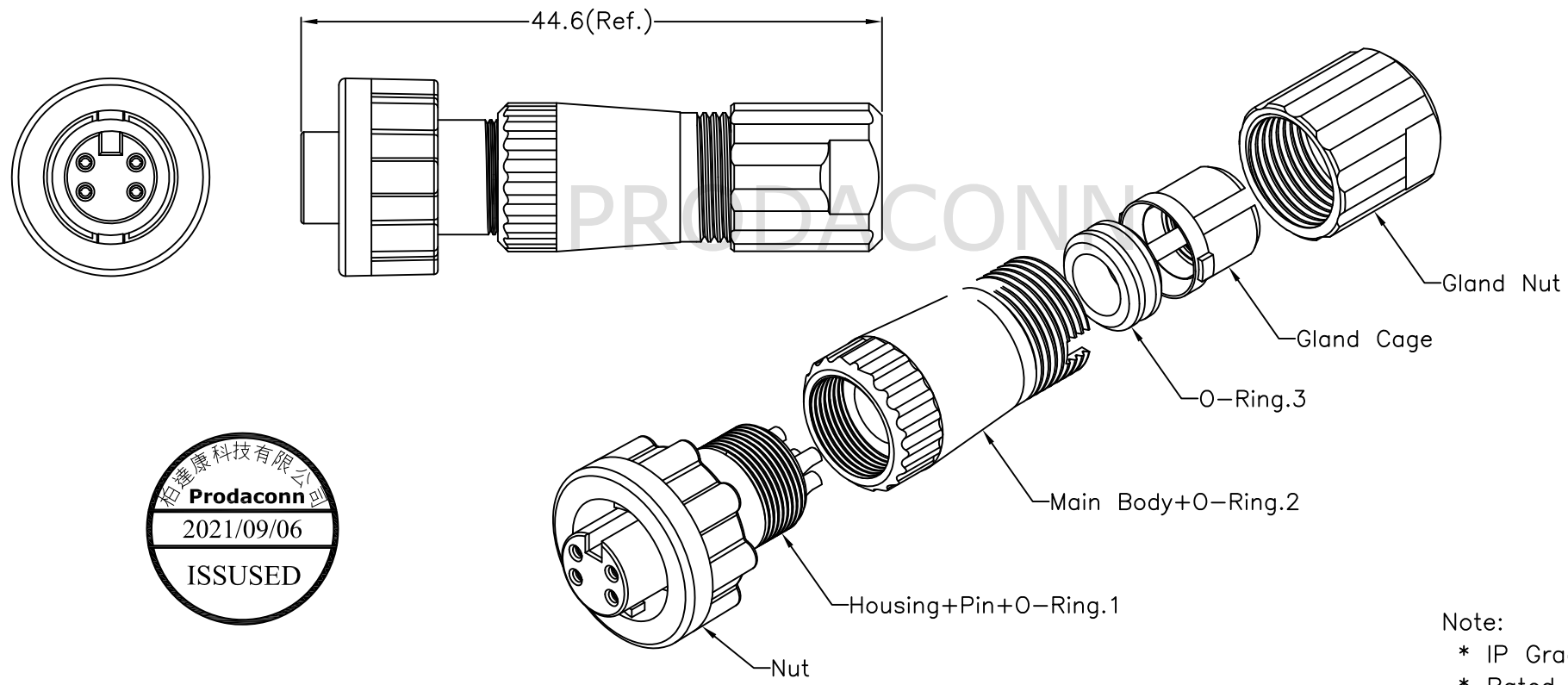


REV.	ECN NO.	DATE	SIGN	DESCRIPTION
01	Initial Release	2021/09/06	YU-FEI	New Item



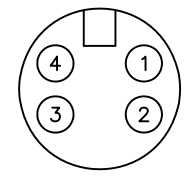
Note:
 * IP Grade: IP67
 * Rated current: 2A
 * Rated voltage: 250V

All dimension in mm



TOLERANCE UNLESS OTHERWISE SPECIFIED	REV.
±0.5	01
	SCALE
	1:1

7	Circular Mini Assy(Lock) F Conn. F Pin	Gland Nut: PPS,Black	1
6		Gland Cage: Nylon+GF,Black	1
5		Main Body: Nylon+GF,Black	1
4		Nut: Nylon+GF,Black	1
3		O-Ring.X: Rubber	1
2		Pin: Copper Alloy,Gold Plated	4
1		Housing: Nylon+GF,Black	1
NO.	ITEM	SPEC	QTY



Pin Assignments
Front View

DRAWN BY	APPROVED BY	DATE(Y/M/D)	PAGE	SIZE
YU-FEI	Roy	2021/09/06	1/1	A4

PART NO:	TITLE
CAU04-FFAP-LSO-FO	CIRCULAR MINI ASSY
CUSTOMER NO:	

BOM LIST

THIS DOCUMENT IS CONFIDENTIAL AND A PROPERTY OF PRODACONN. DISCLOSURE TO THIRD PARTY HAS TO BE AUTHORIZED BY PRODACONN