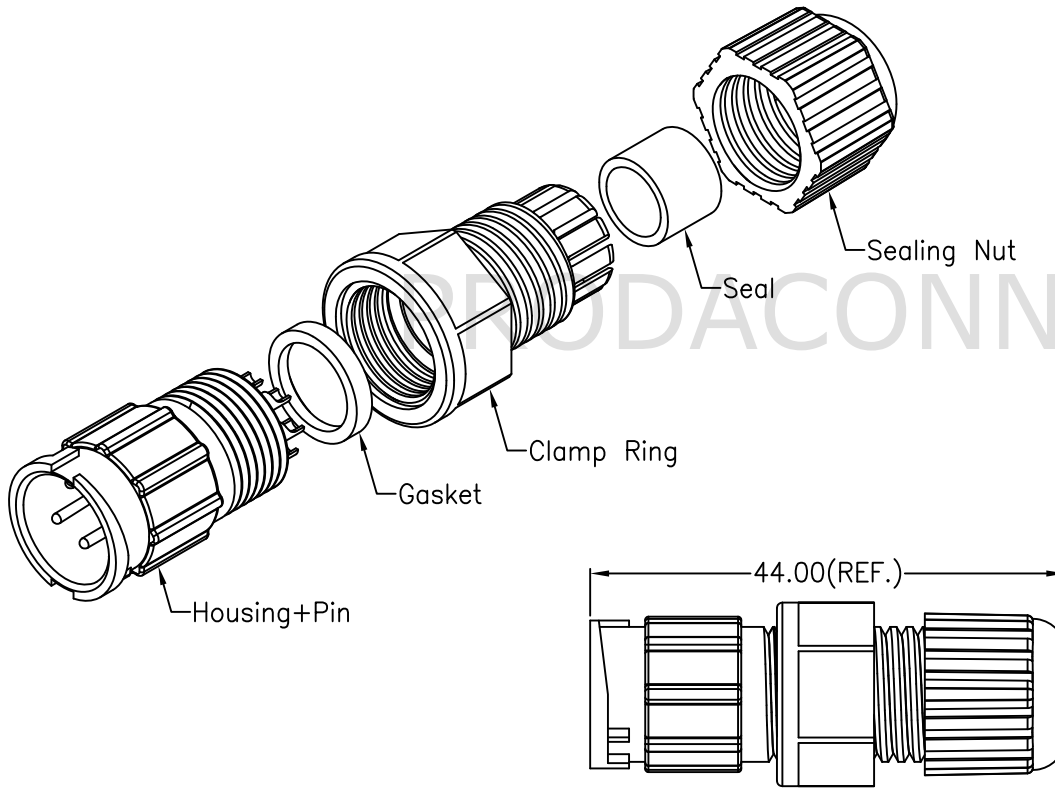


REV.	ECN NO.	DATE	SIGN	DESCRIPTION
01	Initial Release	2021/08/31	YU-FEI	New Item



- Note:
- * IP Grade: IP67
 - * Rated current: 5A
 - * Rated voltage: 250V

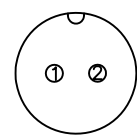
Recommend Cable OD=φ4.5mm~φ6.5mm

All dimension in mm



TOLERANCE UNLESS OTHERWISE SPECIFIED	REV.
±0.5	01
	SCALE
	1:1

6		Sealing Nut: Nylon,Black	1
5		Seal: Rubber	1
4	CIRCULAR STANDARD ASS'Y	Clamp Ring: Nylon,Black	1
3		Gasket: Rubber	1
2		Pin: Copper Alloy,Gold Plated	2
1		Housing: Nylon,Black	1
NO.	ITEM	SPEC	QTY



Pin Assignments
Front View

DRAWN BY	APPROVED BY	DATE(Y/M/D)	PAGE	SIZE
YU-FEI	Roy	2021/08/31	1/1	A4
PART NO:	TITLE			
CBD02-MMAP-LS0-F0	CIRCULAR STANDARD ASS'Y			
CUSTOMER NO:				

THIS DOCUMENT IS CONFIDENTIAL AND A PROPERTY OF PRODACONN. DISCLOSURE TO THIRD PARTY HAS TO BE AUTHORIZED BY PRODACONN

BOM LIST