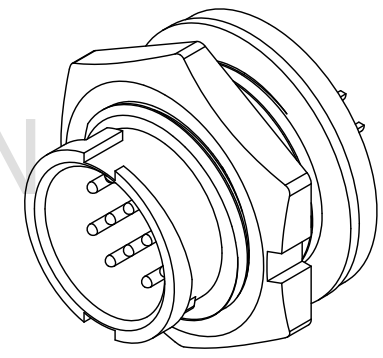
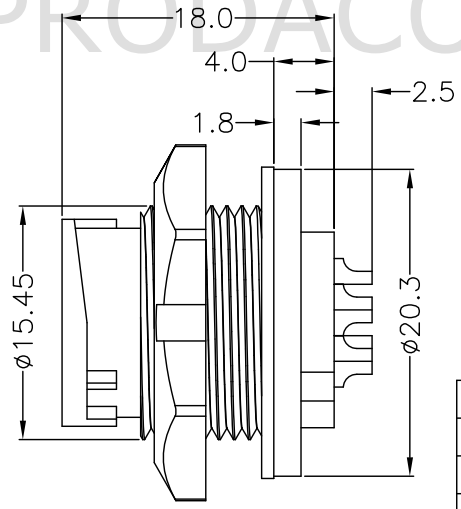
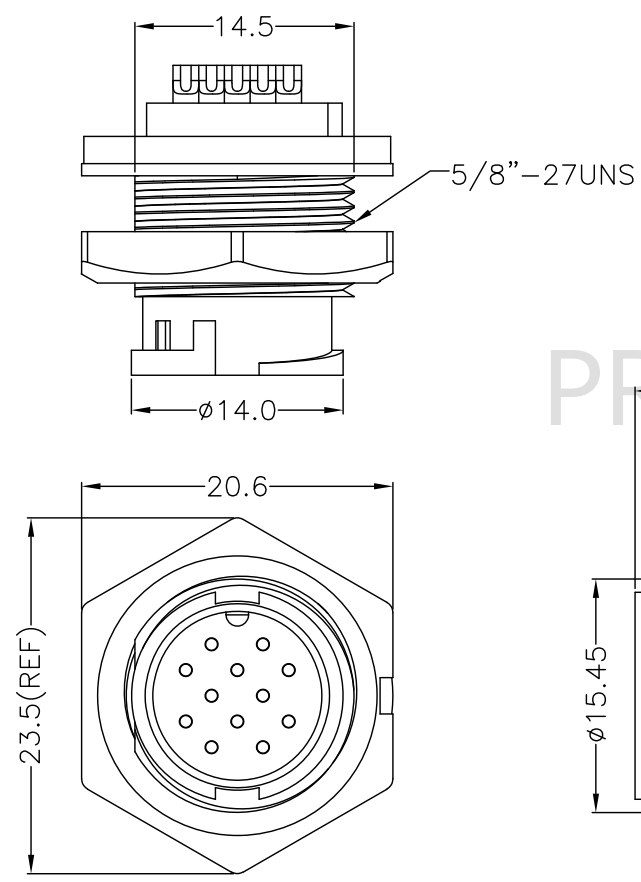
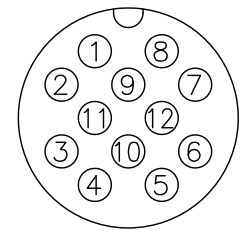


REV.	ECN NO.	DATE	SIGN	DESCRIPTION
01	Initial Release	2021/06/25	Ann	New Item

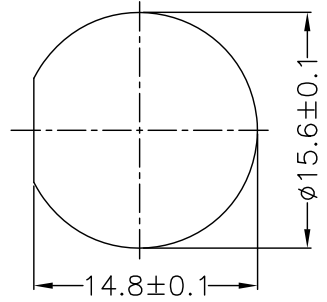


Note:
 * IP Grade: IP67
 * Rated current: 2A
 * Rated voltage: 250V

NO.	ITEM	SPEC	QTY
4	Hex Nut	Nylon,Black	1
3	Gasket	Silicone	1
2	Male Pin	Copper Alloy,Gold Plated	12
1	Housing	Nylon,Black	1



Pin Assignments
Front View



Recommend
Panel Cut-Out



BOM LIST

⊕ All dimension in mm

TOLERANCE UNLESS OTHERWISE SPECIFIED

±0.5

REV.	01								
SCALE	1:1								
DRAWN BY	Ann	APPROVED BY	Roy	DATE(Y/M/D)	2021/06/25	PAGE	1/1	SIZE	A4
PART NO:	CBU12-MMPF-LS0-F0		TITLE						
CUSTOMER NO:			CIRCULAR STANDARD(LOCK),PANEL						

THIS DOCUMENT IS CONFIDENTIAL AND A PROPERTY OF PRODACONN. DISCLOSURE TO THIRD PARTY HAS TO BE AUTHORIZED BY PRODACONN