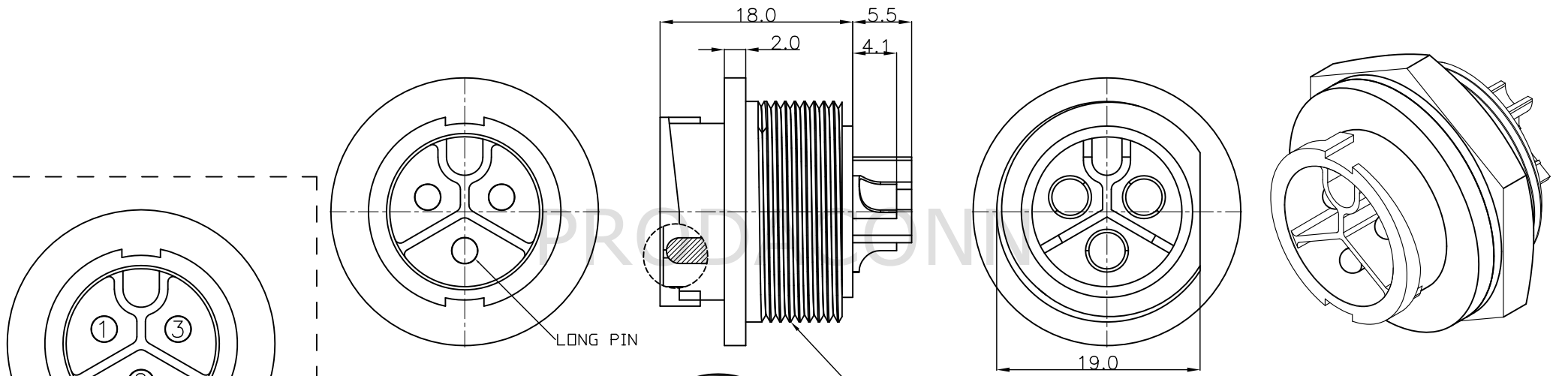


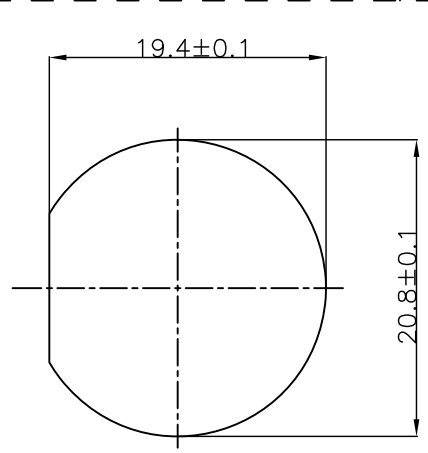
REV.	ECN NO.	DATE	SIGN	DESCRIPTION
01	Initial Release	2021/09/28	YU-FEI	New Item



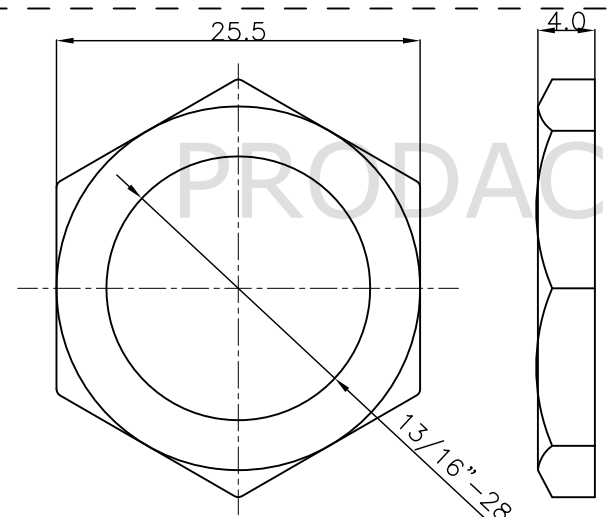
13/16"-28 UNS

- Note:
- \* IP Grade: IP67
  - \* Rated current: 20A
  - \* Rated voltage: 250V

Pin Assignments  
Front View



Recommend  
Panel Cut-Out



Nut

NO.	ITEM	SPEC	QTY
4		Nut: Nylon,Black	1
3	Circular Middle(Lock)	Gasket: Rubber	1
2	M Conn. M Pin	Pin: Copper Alloy,Gold Plated	3
1		Housing: Nylon,Black	1

BOM LIST

**PRODACONN**

TOLERANCE UNLESS OTHERWISE SPECIFIED: ±0.5

REV. 01

SCALE 1:1

All dimension in mm

DRAWN BY	APPROVED BY	DATE(Y/M/D)	PAGE	SIZE
YU-FEI	Roy	2021/09/28	1/1	A4
PART NO:	TITLE			
POW03-MMPH-LS0-F0	POWER 3PIN ASSY M PIN(LOCK)			
CUSTOMER NO:				

THIS DOCUMENT IS CONFIDENTIAL AND A PROPERTY OF PRODACONN. DISCLOSURE TO THIRD PARTY HAS TO BE AUTHORIZED BY PRODACONN